

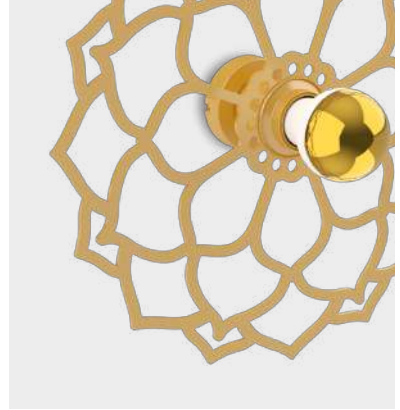


Pujol iluminación

Catálogo general ————— 2023



Pujol iluminación



Empresa Company

From the beginning, quality and service have been the company's main weapons

Pujol iluminación es una empresa que cuenta con más de 40 años de experiencia en la fabricación de luminarias de diseño contemporáneo. Fundada en 1978, ha conseguido ser uno de los fabricantes de referencia en el sector de la iluminación decorativa gracias al diseño y la calidad de sus productos, así como por la excelente relación con sus clientes y su clara vocación internacional.

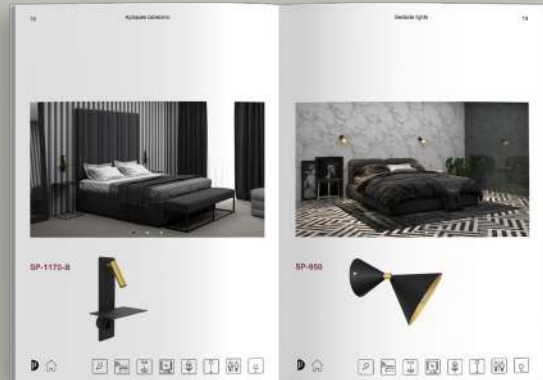
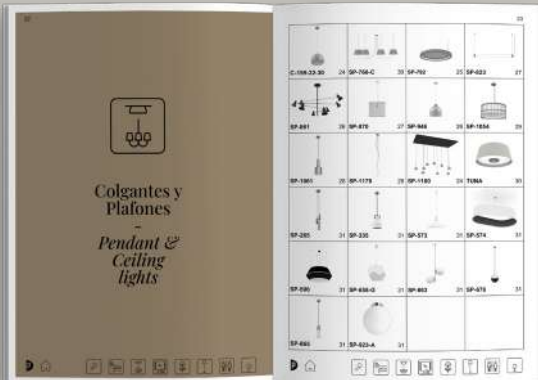
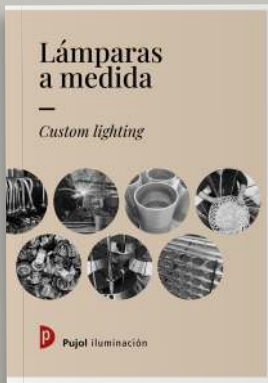
Pujol iluminación is a company with more than 40 years experience in the manufacture of contemporary design lighting fittings. It was set up in 1978 and has become one of the leading manufacturers in the lighting sector because of the design and quality of its products, excellent relationship with its customers and clear international vocation.

Pujol iluminación compte plus de quarante ans d'expérience en tant que fabricant d'éclairage décoratif. Fondée en 1978, notre société est aujourd'hui reconnue par l'ensemble de la profession comme une référence en termes de qualité, service et vocation internationale.

Pujol Iluminación ist ein Unternehmen die über 40 Jahren Erfahrung in der Herstellung von modernen Design Leuchten verfügt. Gegründet im 1978, die Firma hat es geschafft, einer der besten Herstellern im Bereich der qualitätsbezeichneten Lichtgestaltung zu sein. Pujol Iluminacion zeichnet sich aus durch ihre langgestaltene vertrauensvolle Kundenbeziehung weltweit.



www.pujoliluminacion.com/lamparas-a-medida
www.pujoliluminacion.com/en/custom-lighting/
www.pujoliluminacion.com/fr/luminaire-sur-mesure/
www.pujoliluminacion.com/de/sonderleuchten/



Lámparas a medida

Custom lighting

La customización es un deseo cada vez más presente para los consumidores que quieren tener un modelo único.

Para satisfacer esta demanda, Pujol Iluminación cuenta con un amplio parque de máquinas de vanguardia que le permite diseñar colecciones exclusivas con una fuerte personalidad artesanal, tanto para series grandes como pequeñas.

The wish for a custom-made product is increasingly present among the consumers who want to have exclusive goods.

In order to satisfy this request, Pujol Iluminacion reckon on a wide range of machinery, with the latest technology, that allow to design exclusive collections, with a component of craft industry, no matter if small or large quantities.

La customisation est une envie de plus en plus présente pour les consommateurs désireux de posséder un modèle unique.

Pour répondre à cette demande, Pujol dispose localement de l'ensemble des corps de métiers, aussi bien pour la fabrication d'un nouveau modèle qu'une adaptation de sa propre gamme aux besoins de sa clientèle.

Zunehmend wird die Produktpassung als präsender Wunsch für die Verbraucher, die exklusiven Produkte erfordern.

Um dieser Nachfrage entgegenzukommen, ist Pujol Iluminacion mit der modersten Maschinerie ausgestattet, die die Produktion von kleinen bzw. grossen exklusiven Kollektionen von handwerklichem Charakter erlauben.



© ericcherouville

Proyectos Projects

Nuestra vocación es la iluminación. Las luminarias son un elemento esencial para resaltar el entorno y a las que, desafortunadamente, a menudo se les resta importancia.

Gracias a una larga trayectoria en el sector del Contract, así como a nuestro departamento de productos especiales y a medida, podemos ayudarle a diseñar la iluminación ideal para su proyecto de decoración, ya sea para un hotel, un bar o un restaurante.

Our vocation is lighting. Luminaires are an essential element to highlight the environment but, unfortunately, they are often underestimated.

Thanks to a long experience in the Contract sector, as well as to our custom and special products department, we can help you design the ideal lighting for your decorating project, be it for a hotel, a bar or a restaurant.

Notre vocation est la lumière. Un élément essentiel aidant à mettre en valeur tout ce qui l'entoure et malheureusement souvent négligé.

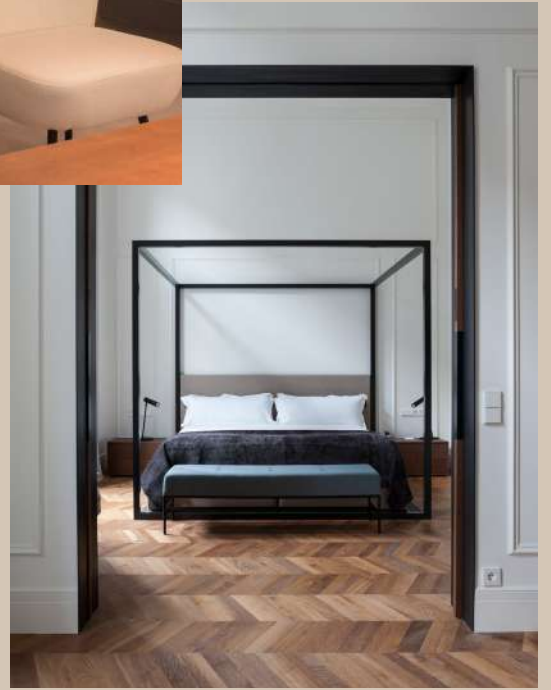
Notre longue tradition dans le secteur contract ainsi que notre département de produit sur mesure nous permet de vous aider à concevoir l'éclairage idéal pour votre projet de décoration, tel qu'hôtel, bar ou restaurant.

Beleuchtung ist unsere Berufung. Die Leuchten - leider oft unterschätzt - sind ein wesentliches Element zur Hervorhebung der Umgebung.

Dank einer langen Erfahrung im Contract-Bereich sowie durch unsere Ab-teilung für Sonderprojekte und massgeschneiderte Produkte sind wir bereit, die ideale Beleuchtung für Ihr Dekorationsprojekt zu entwerfen, sei es für ein Hotel, eine Bar oder ein Restaurant.

Hotel Kozmo

Budapest, Hungría



Fotografías © erictherouville

Only YOU hotel Atocha

Madrid, España



Hotel Au Charme Rabelaisien

Amboise, Francia



Hotel Portobay Liberdade

Lisboa, Portugal



Le Damantin Hôtel & Spa

Paris, Francia



Radisson Blu Hotel Lietuva

Vilnius, Lituania



Radisson Blu Hotel olümpia

Tallinn, Estonia



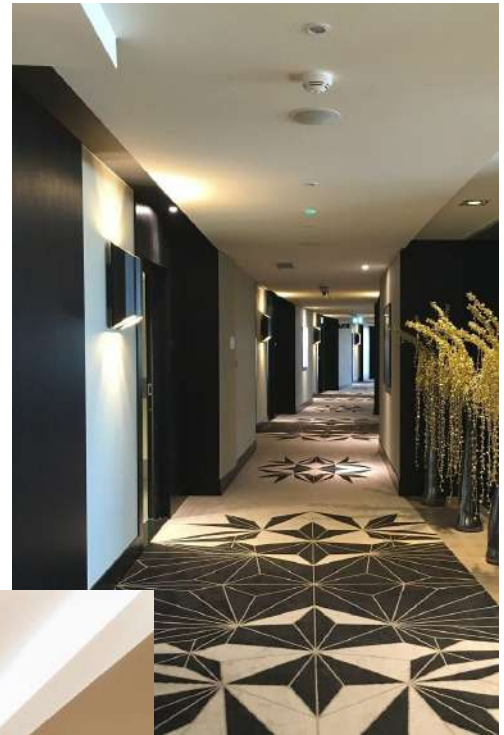
'Superministry' office building

Tallin, Estonia



Hotel Hilton Tallinn

Tallin, Estonia



Índice

Apliques
Wall lamps
Appliques
Wandlampen



Acústic **NEW**
28



Ado
162



Americana
216



Apolo
128



Arcos
140



Balance **NEW**
70



Basic
194



Bric
188



Brindis
164



Cub
64



Del
202



Duo **NEW**
54



Eve
178



Icono
78



Iris
126



Key
90



Lula
192



Mini Maxi **NEW**
98



Natural **NEW**
38



Nenufar **NEW**
58



Opal
150



Plasma
166



Prim
122



Signe
82



Suau
72



Sutil **NEW**
74



Tomas
92



Tub
210



Zig **NEW**
18

Iluminacuadros
Picture lamps
Éclairage tableau
Bilderleuchten



Agora
160



Apiques de cuadro
220



Thin
158

Colgantes
Hanging lamps
Suspensions
Pendelleuchten



Acústic **NEW**
28



Apolo
128



Aura
170



Boina
86



Bola
168



Brindis
164



Cil
190



Mini
106



Mini Maxi **NEW**
98



Natural **NEW**
38



Prim
122



Sphere **NEW**
48



Tomas
92



Zen **NEW**
112

Plafones
Ceiling lamps
Plafonniers
Deckenleuchten



Acústic **NEW**
28



Apolo
128



Arcos
140



Cub
64



Cuina
186



Esferic
184



Mini plafon
182



Natural **NEW**
38



Plafó
180

Sobremesas
Table lamps
Lampes de tables
Tischleuchten



Bateria
60



Boina **NEW**
86



Circular
62



Cub
64



Del
202



Eve
178



Mini Maxi **NEW**
98



Natural **NEW**
38



Noa **NEW**
56



Sphere **NEW**
48



Sunset
84



Tomas
92



Tub
210



Zig **NEW**
18

Exterior
Outdoor
Extérieur
Außenambiente



Apolo IP65
138

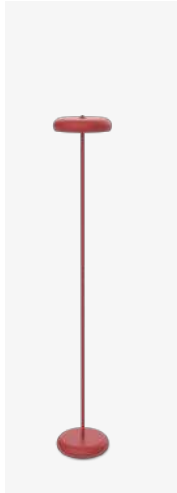


Masai
172

Pies de salón
 Floor lamps
 Lampadaires
 sur pied
 Deckenfluter



Americana
216



Boina **NEW**
86



Cosmos
200



Del
202



Giravolt
176



Gregal
198



Lux
156



Masai
172



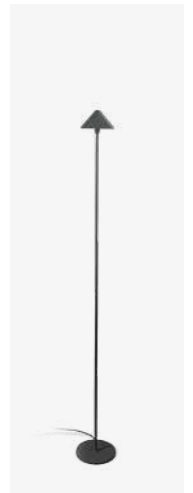
Mini Maxi **NEW**
98



Pie
214



Sphere **NEW**
48



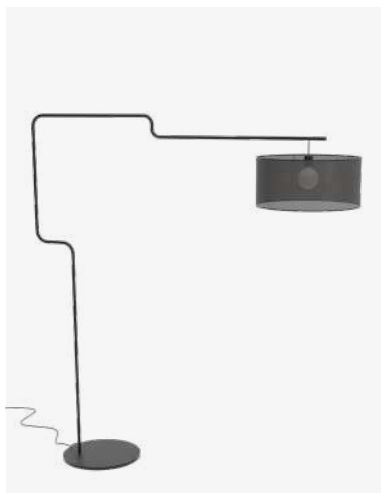
Tomas
92



Trio
154



Tub
210



Zig **NEW**
18

Índice colecciones

28	Acústic	78	Icono
162	Ado	126	Iris
160	Agora	90	Key
216	Americana	192	Lula
220	Apliques de cuadro	156	Lux
128	Apolo	172	Masai
136	Apolo emergency	106	Mini
138	Apolo IP65	98	Mini Maxi
140	Arcos	182	Mini Plafon
170	Aura	38	Natural
70	Balance	58	Nenufar
194	Basic	56	Noa
60	Bateria	150	Opal
86	Boina	214	Pie
168	Bola	180	Plafo
188	Bric	166	Plasma
164	Brindis	122	Prim
190	Cil	82	Signe
62	Circular	48	Sphere
200	Cosmos	72	Suau
64	Cub	84	Sunset
186	Cuina	74	Sutil
202	Del	158	Thin
54	Duo	92	Tomas
184	Esferic	154	Trio
178	Eve	210	Tub
176	Giravolt	112	Zen
198	Gregal	18	Zig

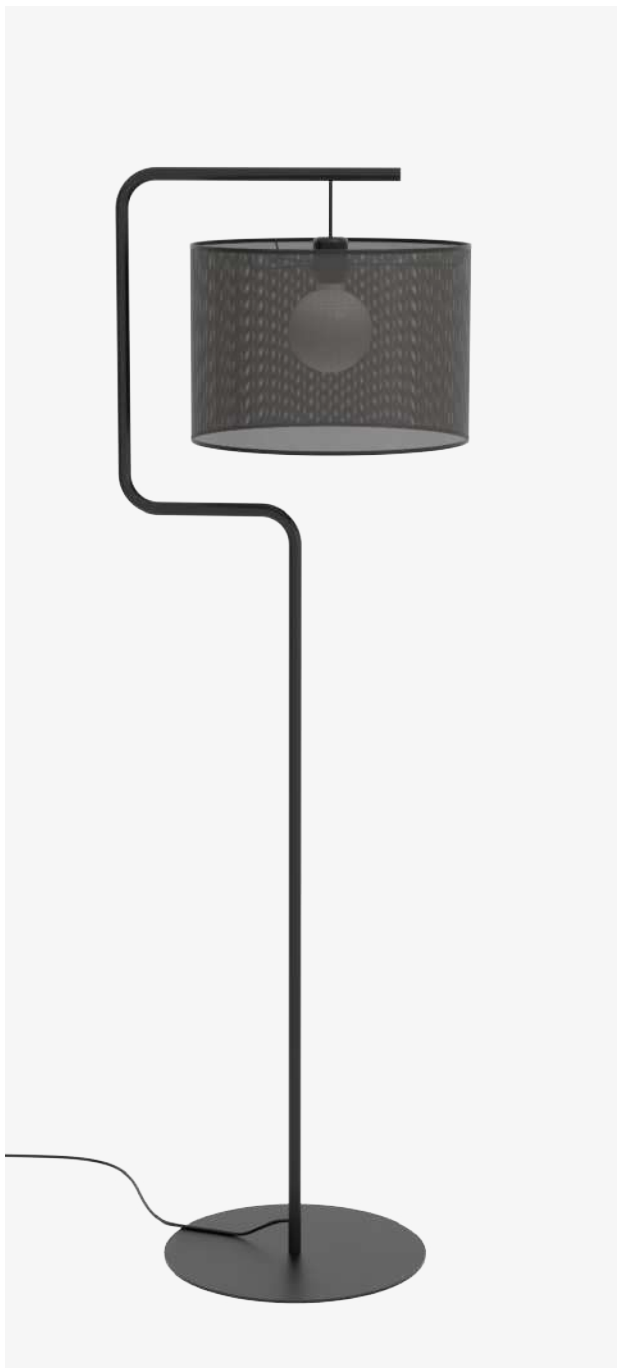
Zig

Nacho Timón

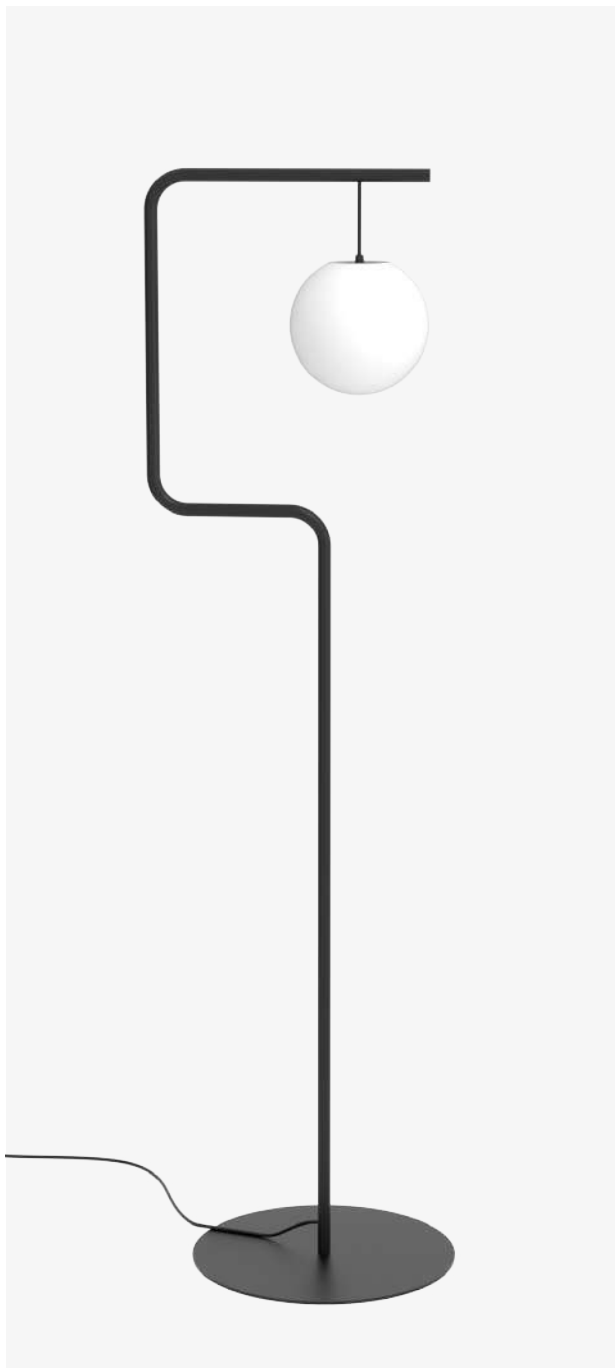
NEW



N



P-218/T



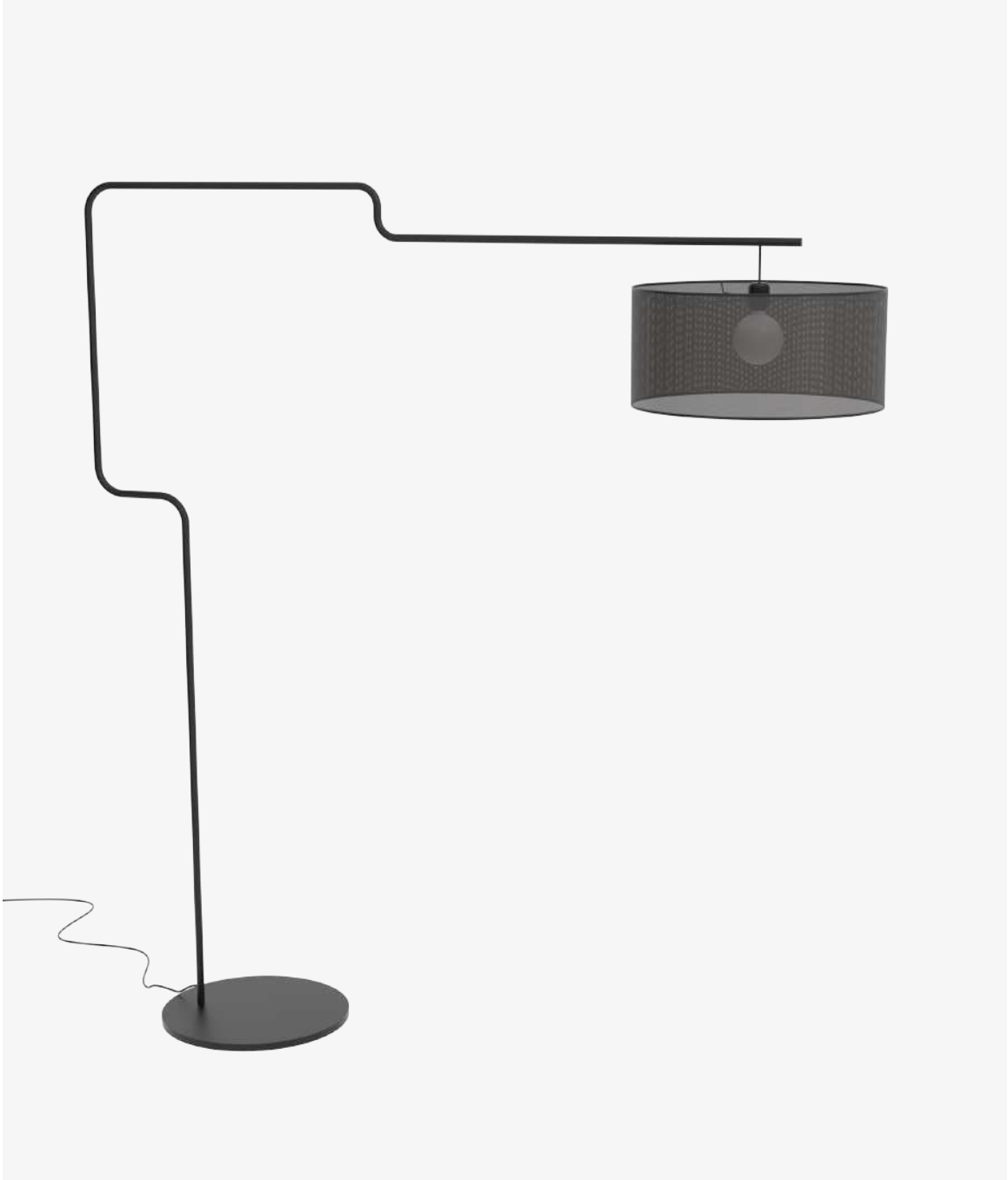
P-218/C



P-219/T



P-219/T



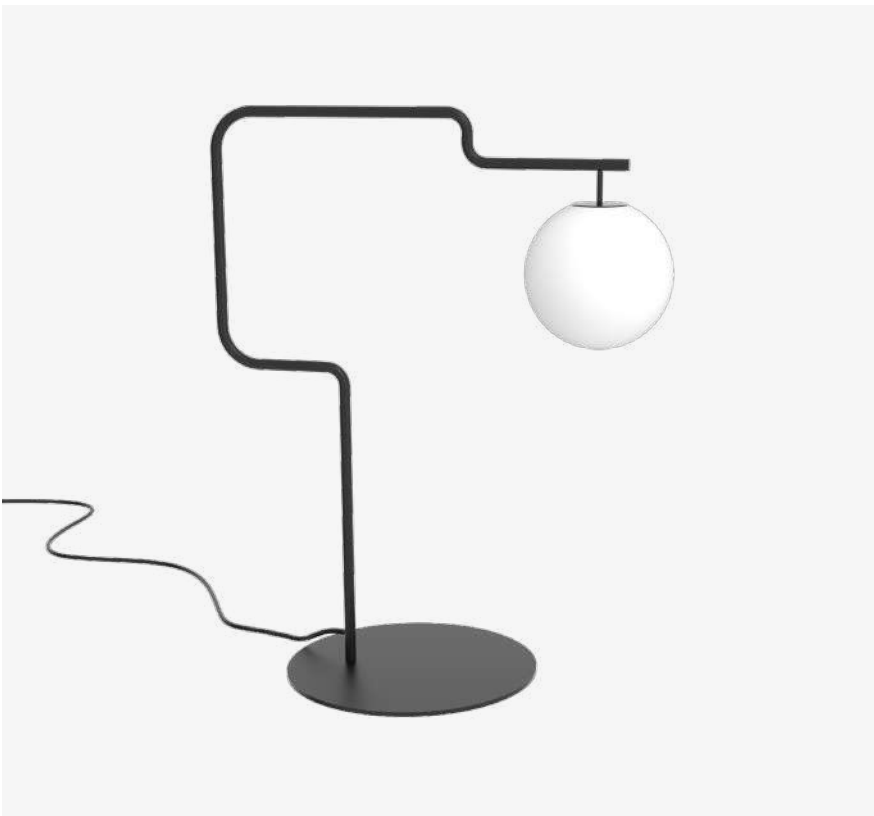
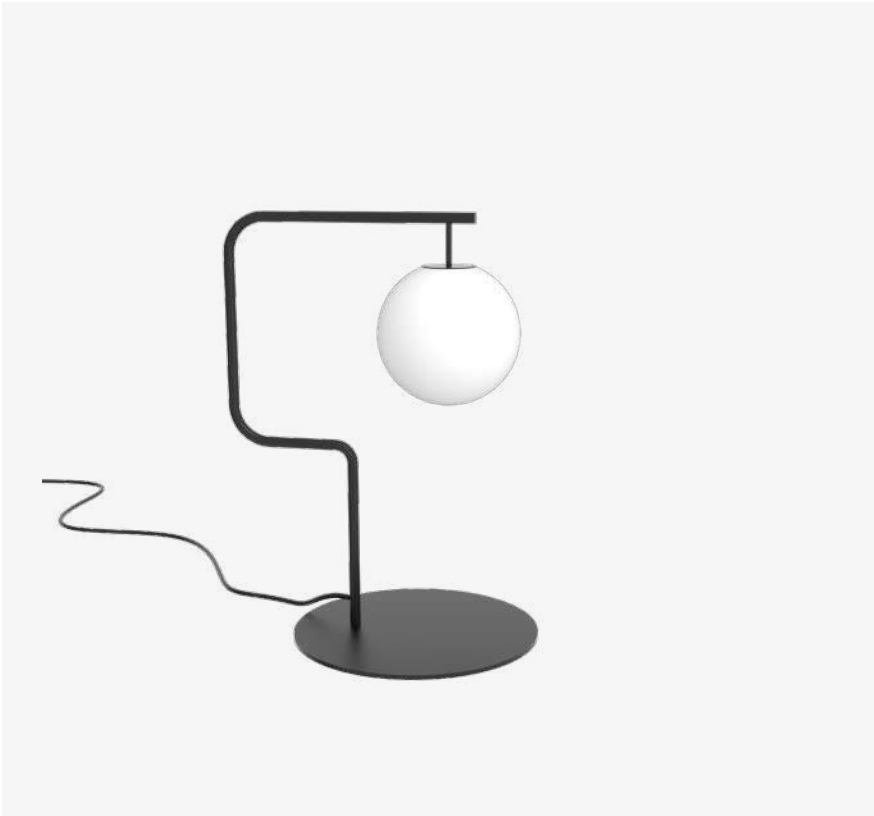
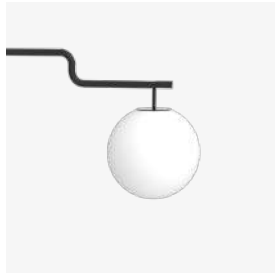
P-220/T



P-220/C



PS-223/T



PS-222/C

PS-223/C



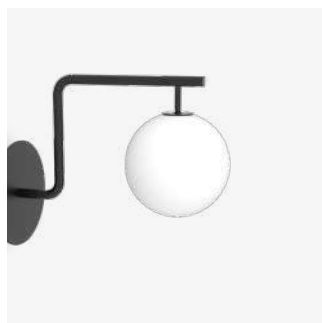
A-224/T
PS-221/T



A-224/T



PS-221/T



Acabados/ Finishes

Pantallas/ Shades

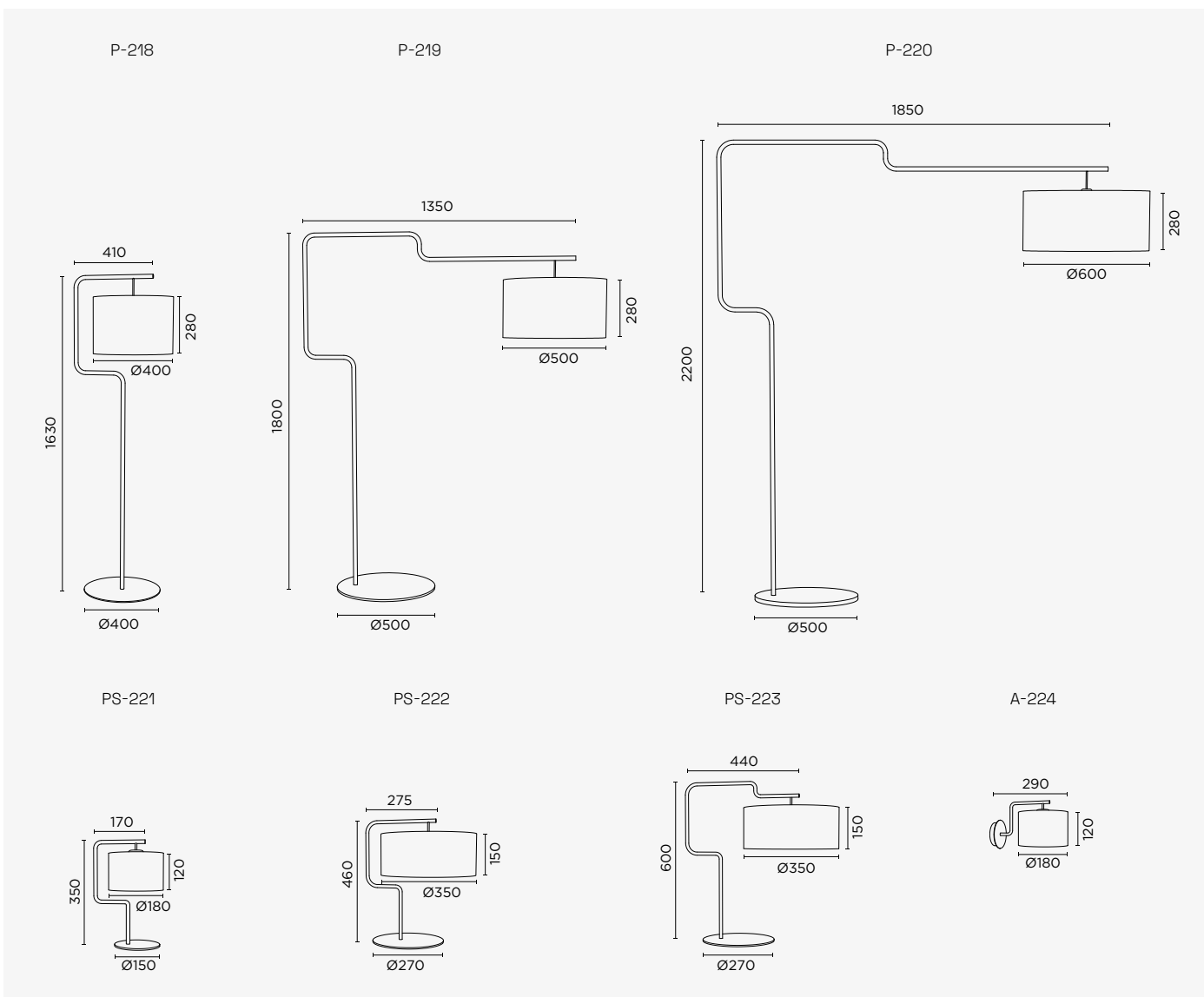
IP20

■ N

■ N ■ GLA

Ref.	E-27 LED	⊕	Pantalla	Bola
P-218/T	E-27 LED	⊕	Ø400	
P-218/C	E-27 LED	⊕		Ø250
P-219/T	E-27 LED	⊕	Ø500	
P-219/C	E-27 LED	⊕		Ø300
P-220/T	E-27 LED	⊕	Ø600	
P-220/C	E-27 LED	⊕		Ø300

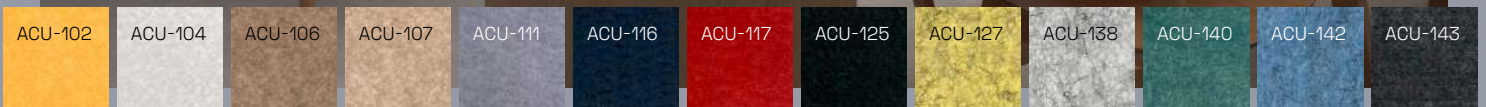
Ref.	E-27 LED	□	Pantalla	Bola
PS-221/T	E-27 LED	□	Ø180	
PS-221/C	E-27 LED	□		Ø150
PS-222/T	E-27 LED	□	Ø350	
PS-222/C	E-27 LED	□		Ø180
PS-223/T	E-27 LED	⊕	Ø350	
PS-223/C	E-27 LED	⊕		Ø180
A-224/T	E-27 LED	⊕	Ø180	
A-224/C	E-27 LED	⊕		Ø150



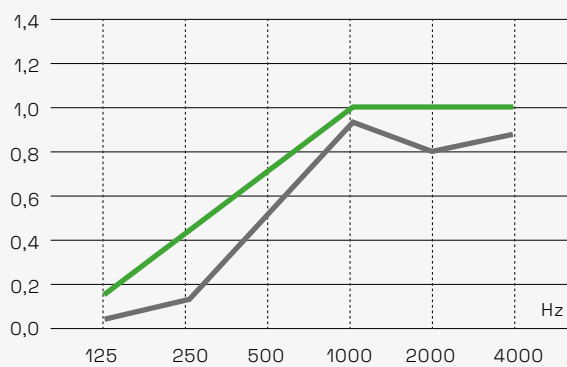
Acústic **NEW**



Equipo Pujol



DATOS ACÚSTICOS
ACOUSTIC DATA



AISLAMIENTO ACÚSTICO
SOUND INSULATION



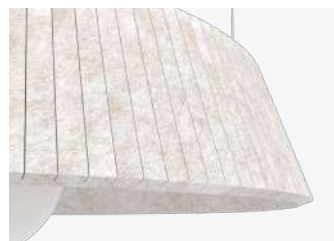
Grosor placas: Polietileno 9mm
Coeficiente de Absorción: 0,77

Panel thickness: polyethylene 9mm
Sound absorption coefficient: 0,77



Resistencia al fuego: B. S2. d0 (Cumple CTE DB-SL)
Apto para locales de pública concurrencia

Fire resistant: B,S2. d0 CTE DB-SL
Suitable for public premises



C-232/60

C-232/90



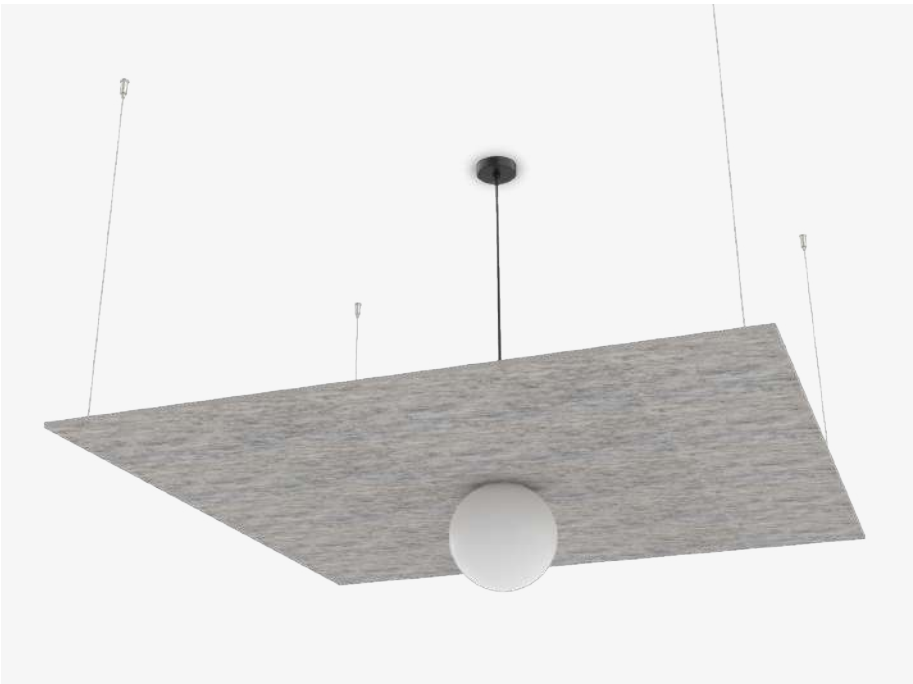
C-233/60

C-233/120

C-233/80



C-233/60 + C-233/80 + C-233/120



C-234/60

C-234/80

C-234/120



C-233/60 + C-233/80 + C-233/120



PL-235/60 + PL-235/80 + PL-235/120

PL-235/60



PL-235/80



PL-235/120





PL-236/60

PL-236/120

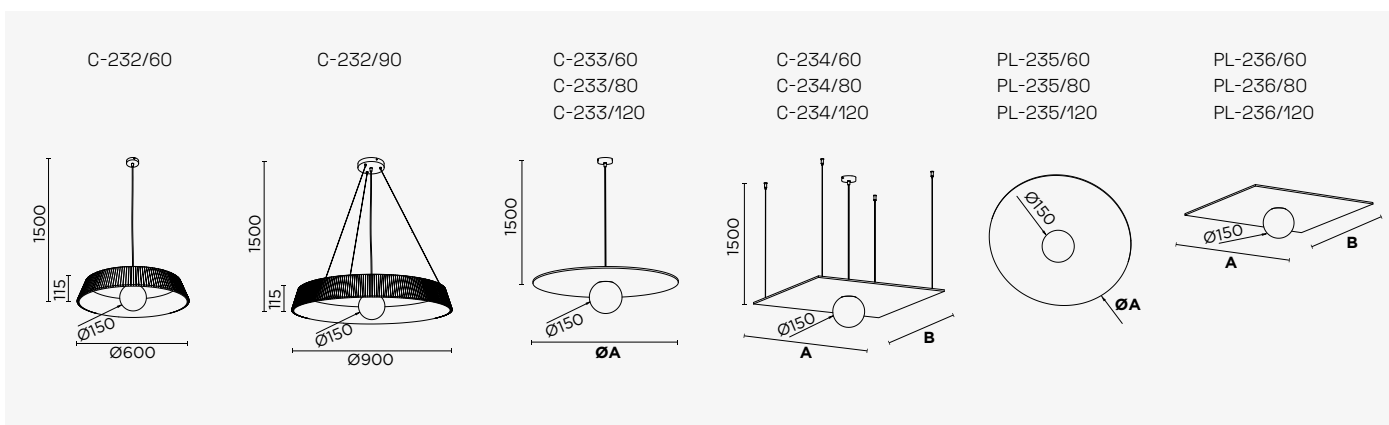
PL-236/80

⊕ ⊖ IP20 RF850°

ACU-102
 ACU-104
 ACU-106
 ACU-107
 ACU-111
 ACU-116
 ACU-117
 ACU-125
 ACU-127
 ACU-138
 ACU-140
 ACU-142
 ACU-143

Ref.			A	B
C-232/60	E-27 LED	⊕		
C-232/90	E-27 LED	⊕		
C-233/60	E-27 LED	⊕	Ø600	
C-233/80	E-27 LED	⊕	Ø800	
C-233/120	E-27 LED	⊕	Ø1200	
C-234/60	E-27 LED	⊕	600	600
C-234/80	E-27 LED	⊕	800	800
C-234/120	E-27 LED	⊕	1200	1200

Ref.			A	B
PL-235/60	E-27 LED	⊕	Ø600	
PL-235/80	E-27 LED	⊕	Ø800	
PL-235/120	E-27 LED	⊕	Ø1200	
PL-236/60	E-27 LED	⊕	600	600
PL-236/80	E-27 LED	⊕	800	800
PL-236/120	E-27 LED	⊕	1200	1200



Natural NEW

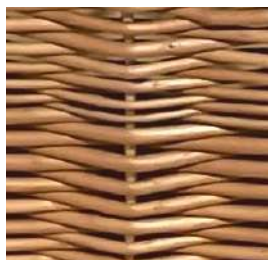
Equipo Pujol



NA



BU

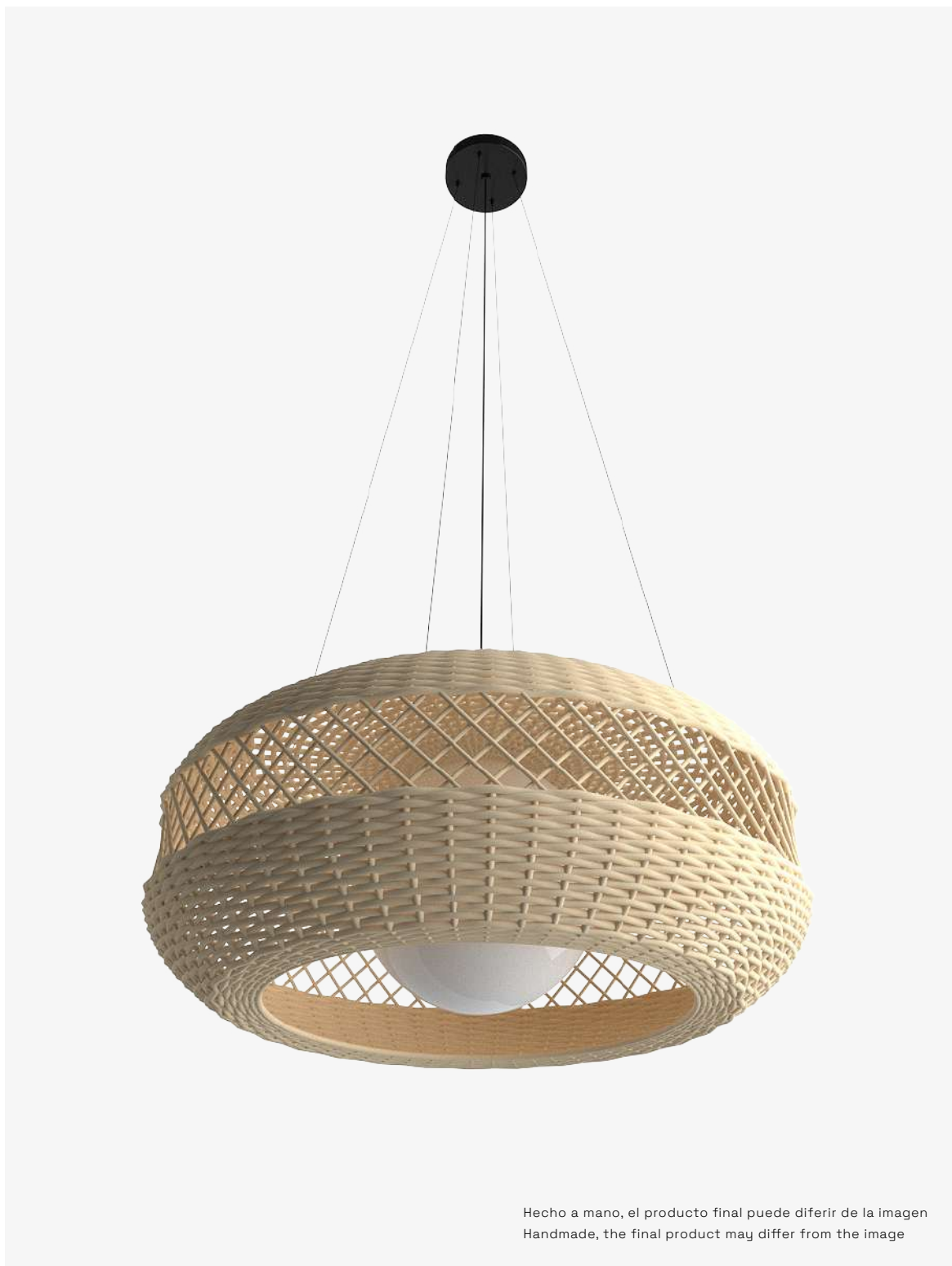


Hecho a mano, el producto final puede diferir de la imagen
Handmade, the final product may differ from the image

MIC-01-160



MIC-01-80



Hecho a mano, el producto final puede diferir de la imagen
Handmade, the final product may differ from the image





Hecho a mano, el producto final puede diferir de la imagen
Handmade, the final product may differ from the image

MIC-02-20

MIC-02-30

MIC-02-50



Hecho a mano, el producto final puede diferir de la imagen
Handmade, the final product may differ from the image

MIS-02-30



MIA-03-50





MIA-03-35 + MIA-03-25



NA



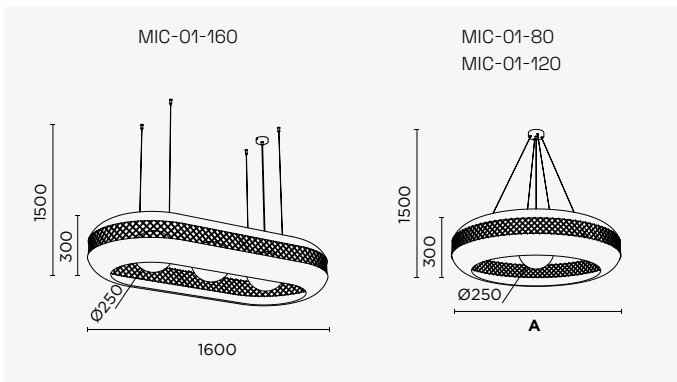
BU

MIA-03-35

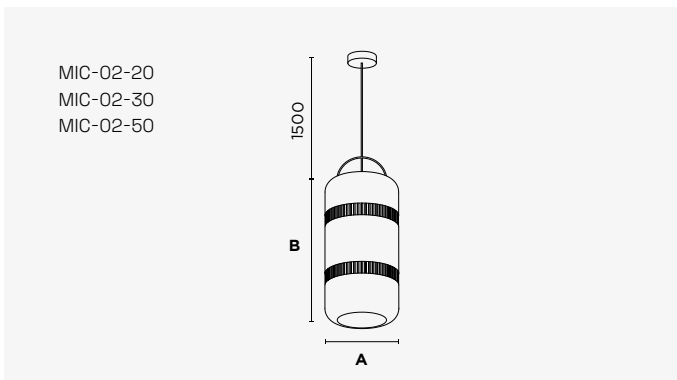
Hecho a mano, el producto final puede diferir de la imagen
Handmade, the final product may differ from the image

IP20

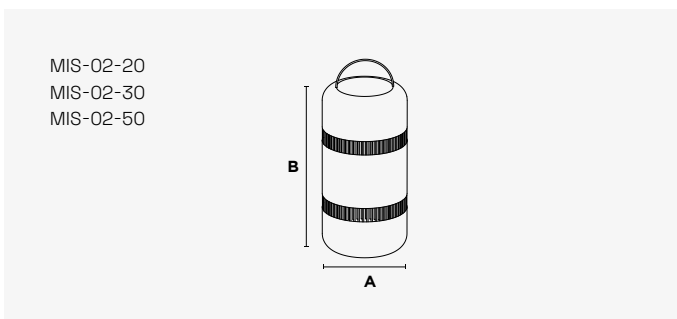
NA BU



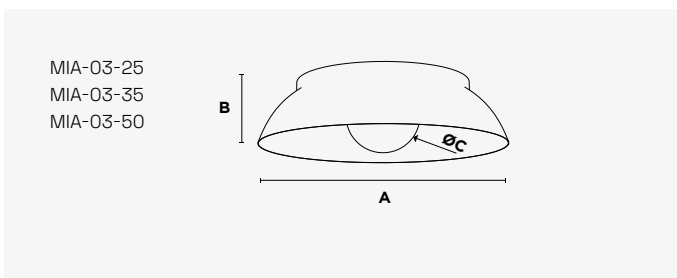
Ref.			A
MIC-01-160	E-27 LED	⊕	
MIC-01-80	E-27 LED	⊕	Ø80
MIC-01-120	E-27 LED	⊕	Ø120



Ref.			A	B
MIC-02-20	E-27 LED	⊕	Ø200	300
MIC-02-30	E-27 LED	⊕	Ø300	600
MIC-02-50	E-27 LED	⊕	Ø500	1000



Ref.			A	B	C
MIS-02-20	E-27 LED	⊕	150	45	100
MIS-02-30	E-27 LED	⊕	300	45	100
MIS-02-50	E-27 LED	⊕	600	45	100



Ref.			A	B	C
MIA-03-25	E-27 LED	⊕	Ø250	120	Ø100
MIA-03-35	E-27 LED	⊕	Ø350	130	Ø150
MIA-03-50	E-27 LED	⊕	Ø500	140	Ø150

Sphere NEW

Hugo Tejada



N

PO

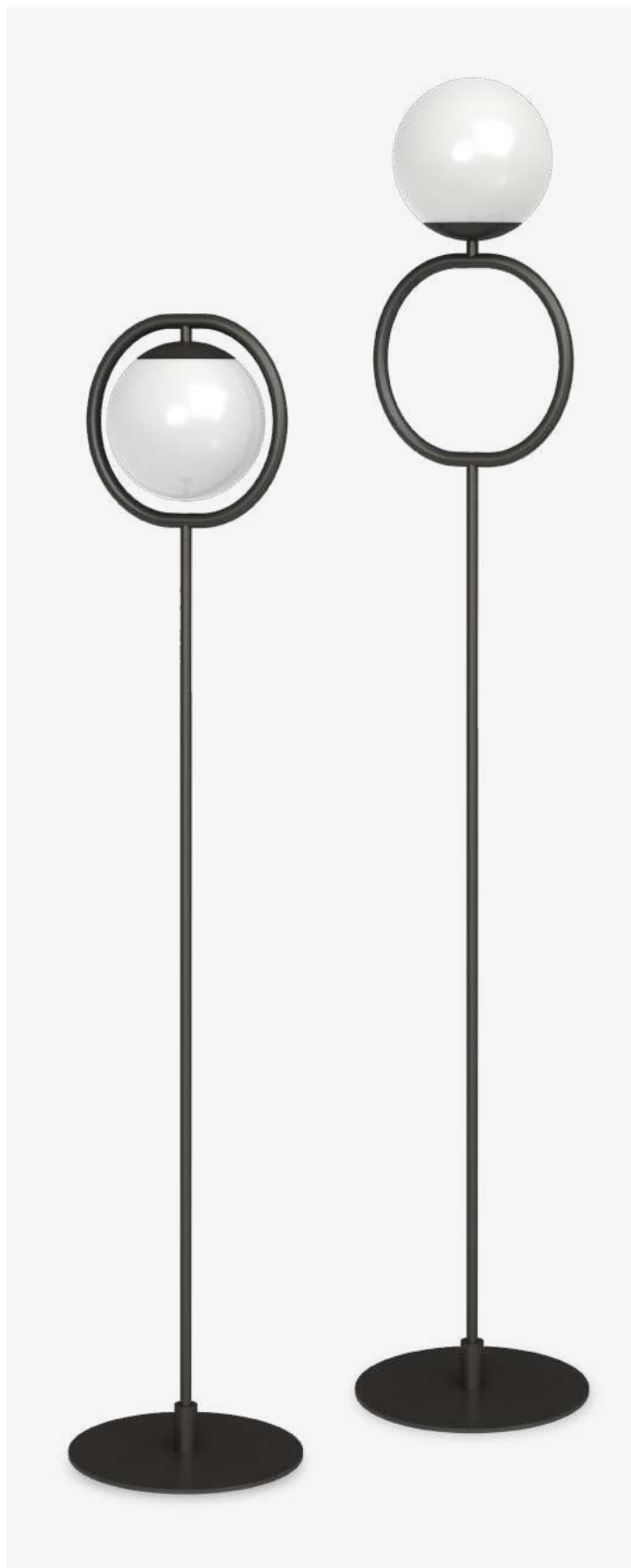


C-242
2 posiciones





PS-244+ P-243



PS-244

P-243

Sphere



C-242 + A-241



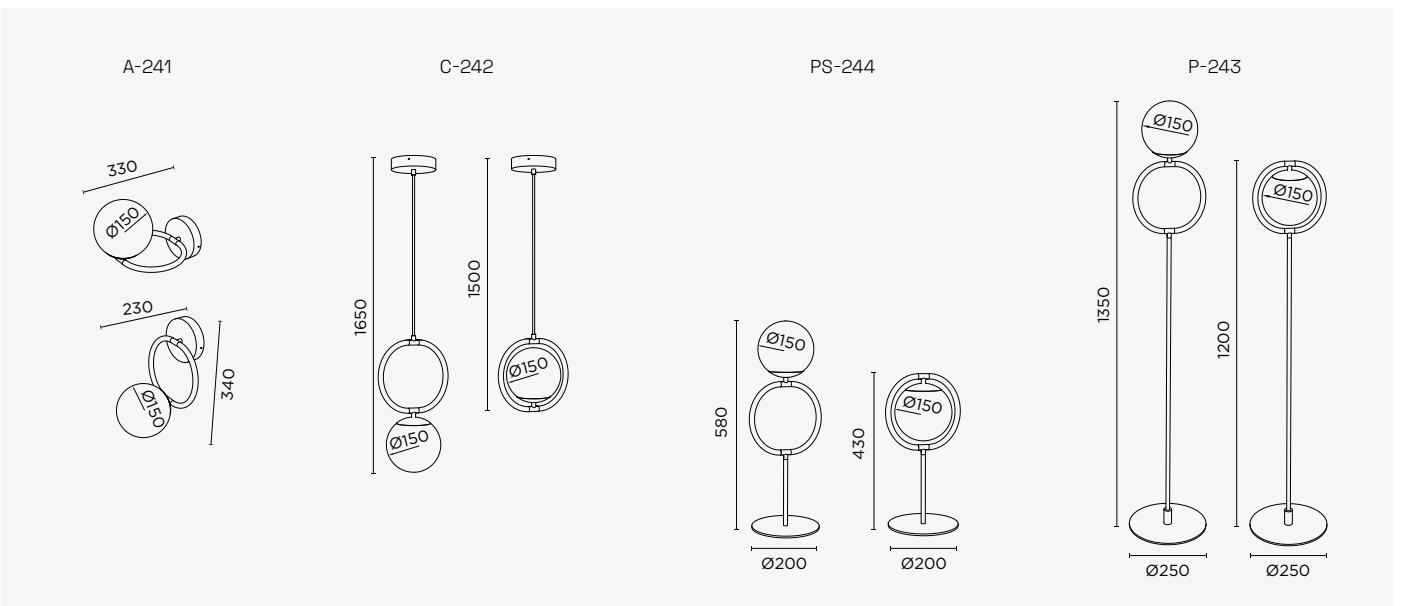
A-241

▽ IP20 RF850°

■ N ■ PO

Ref.		
A-241	E-27 LED	⊕
C-242	E-27 LED	⊕

Ref.		
PS-244	E-27 LED	⊞
P-243	E-27 LED	⊕



Duo

NEW

Equipo Pujol



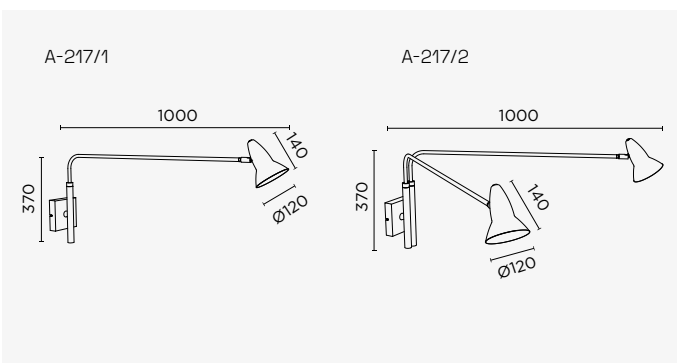


A-217/1

A-217/2

⊕ ⊖ IP20 RF850°

□ B ■ N



Ref.

A-217/1	E-27 LED	
A-217/2	2xE-27 LED	

Noa

NEW

Equipo Pujol





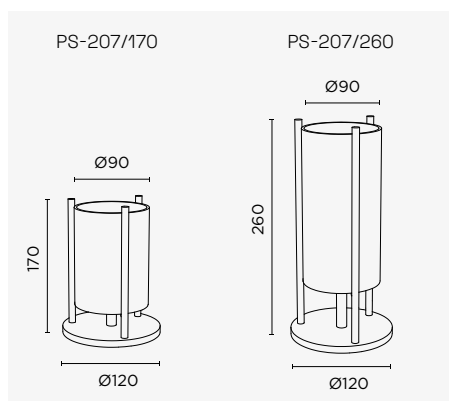
PS-207/170



PS-207/260

□ ▽ IP20 RF850°

■ N/B ■ N/OM ■ N/COS □ B ■ N ■ NM



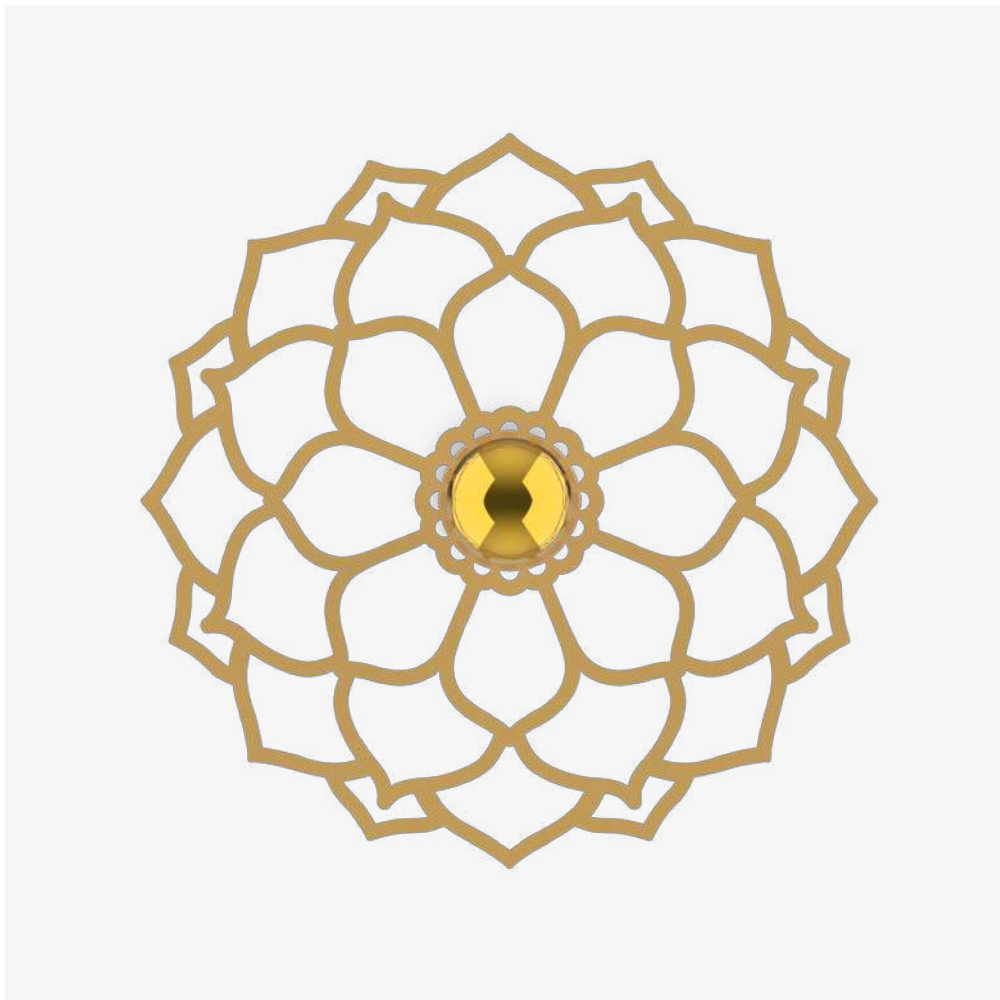
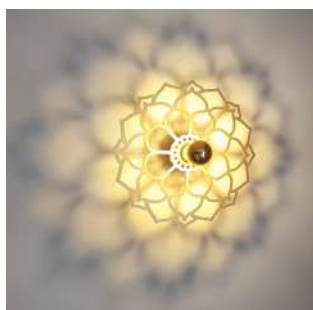
Ref.	
PS-207/170	G-9 LED
PS-207/260	G-9 LED

Nenufar

NEW

Equipo Pujol

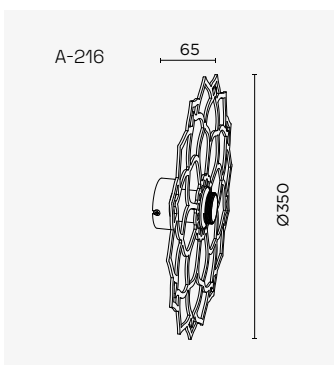




A-216

⊕ ⊖ IP20 RF850°

PO



Ref.

A-216 E-27 LED

Bateria

Equipo Pujol



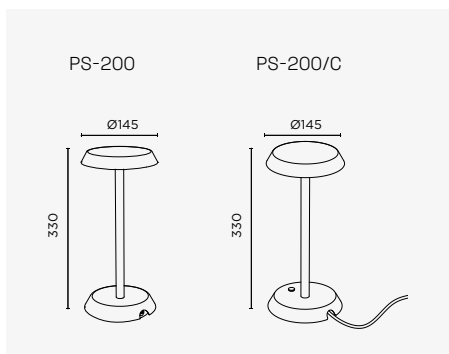


TOUCH DIMMER

PS-200

IP20 TOUCH DIMMER

B N



Ref.		W	Lumens	Kelvin	
PS-200	LED	3	360	3000	Battery 7h
PS-200/C	LED	7	1000	3000	

Circular

Aggo Estudi



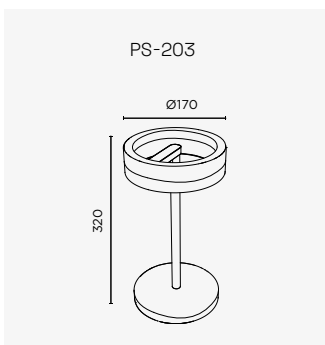



PS-203



 IP20 RF850°  DIMMABLE

B N



Ref.		W	Lumens	Kelvin	
PS-203	LED	13	1250	3000	 DIMMABLE

Cub

Aggo Estudio











PL-177/160

PS-175-100

A-176



PL-177/100



A-176

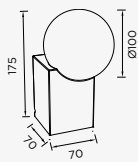
⊕ ⊖ IP20

□ B ■ N ▒ C ■ NM ■ COS

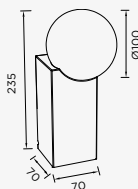
Ref.	
PS-175/100	G9 LED
PS-175/160	G9 LED
A-176	G9 LED

Ref.	
PL-177/100	G9 LED
PL-177/160	G9 LED

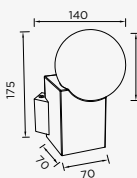
PS-175/100



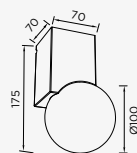
PS-175/160



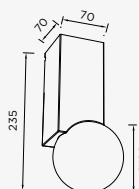
A-176



PL-177/100



PL-177/160



Balance ^{NEW}

Equipo Pujol



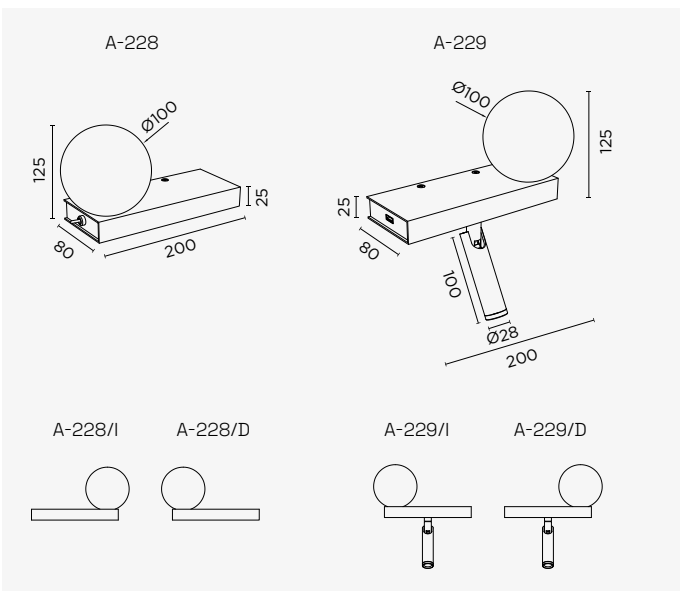


A-228/D

A-229/D

⊕ ⊖ IP20 RF850° USB

□ B ■ N



Ref.	W	Kelvin		
A-228	G9 LED	3000	1 x \odot N- \odot FF	USB
A-229	G9 LED + LED	3 3000	2 x \odot N- \odot FF	USB

Suau

Equipo Pujol



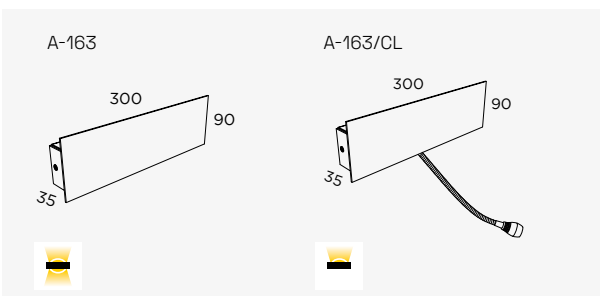


A-163

A-163/CL

⊕ ⊖ IP20 RF850°

■ C ■ NM □ B



Ref.		W	Lumens	Kelvin
A-163	LED	16	2650	3000
A-163/CL	LED	8	1325	3000
		3	195	3000 30°

Sutil **NEW**

Nacho Timón



B

N





A-225/15 + A-225/30

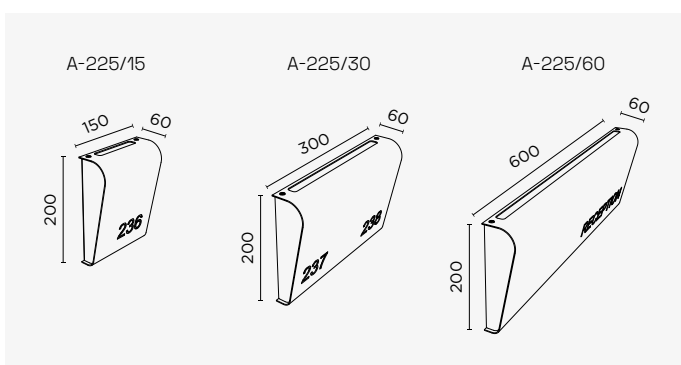


A-225/15

A-225/30

⊕ ⊖ IP20 RF850°

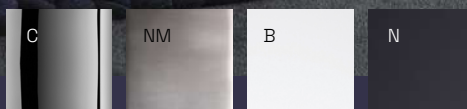
□ B ■ N



Ref.		W	Lumens	Kelvin
A-225/15	LED	3	200	3000
A-225/30	LED	6	200	3000
A-225/60	LED	10	200	3000

Icono

Equipo Pujol



A-205/1



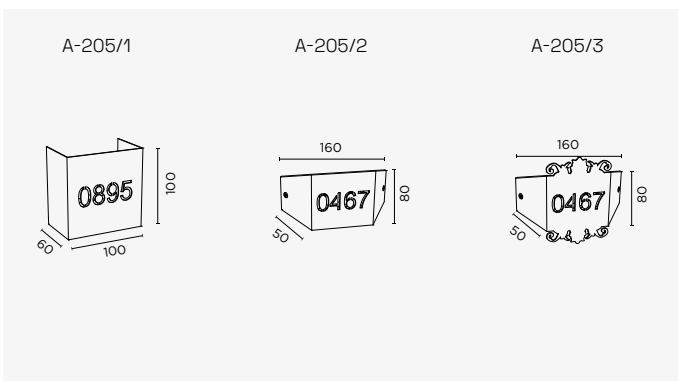
A-205/2



A-205/3

⊕ ⊖ IP20 RF850°

□ B ■ N ▨ C ■ NM



Ref.		W	Lumens	Kelvin
A-205/1	LED	8	640	3000
A-205/2	LED	8	640	3000
A-205/3	LED	8	640	3000



A-205/1



Signe

Equipo Pujol





A-920/ESP



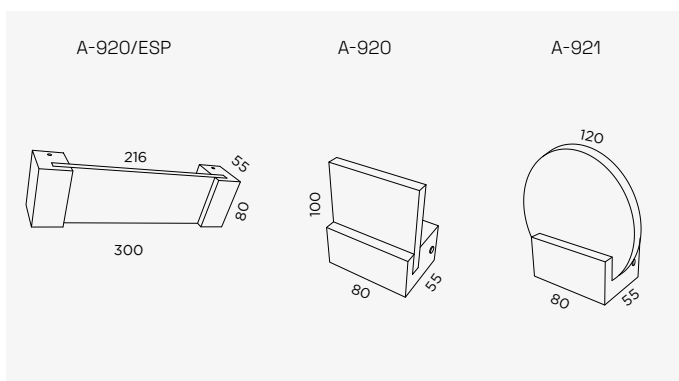
A-920



A-921

⊕ ⊖ IP20 RF850°

AL

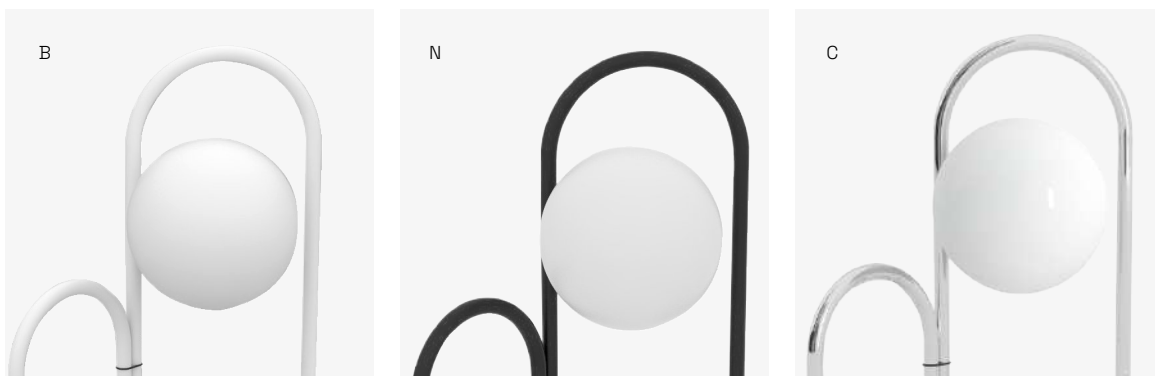


Ref.		W
A-920/ESP	LED	1
A-920	LED	1
A-921	LED	1

Sunset

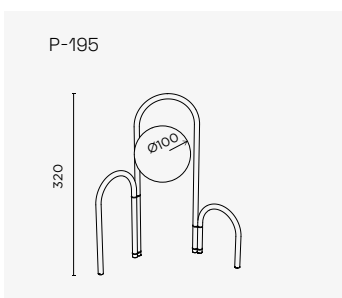
Nacho Timón





□ ▽ IP20 RF850°

□ B ■ N ▒ C

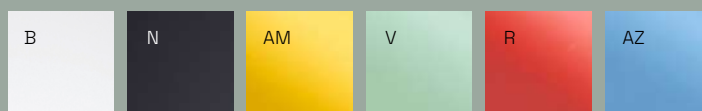


Ref.

PS-195 G9 LED recommended

Boina

Nacho Timón





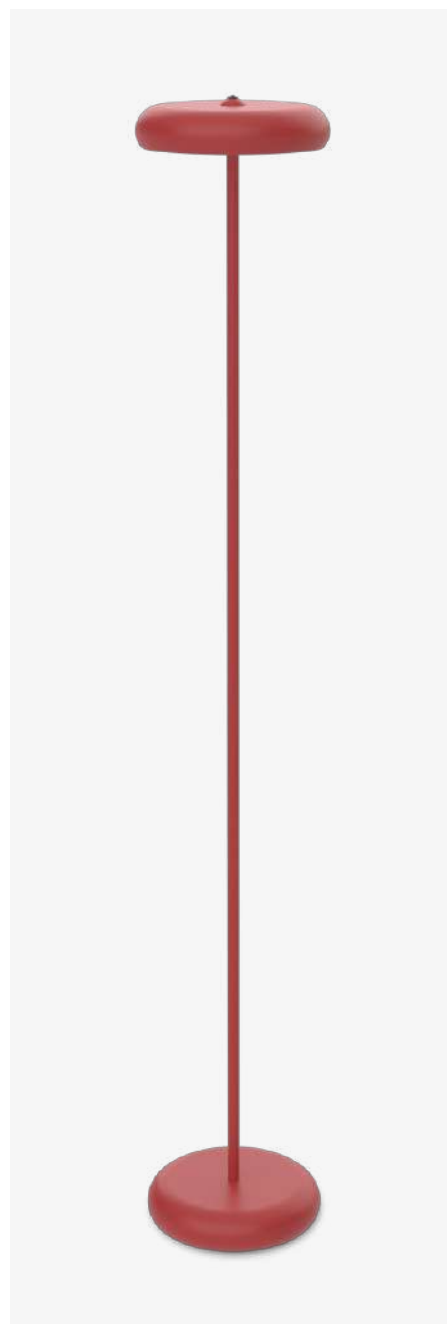
C-196/20

C-196/45



PS-231

P-230

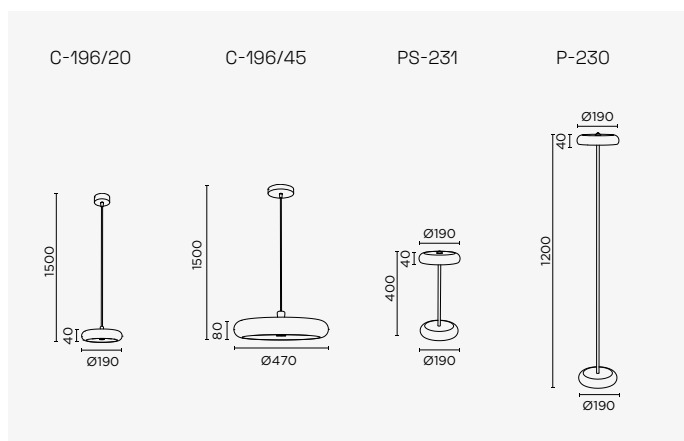


PS-231 **NEW**

P-230 **NEW**

IP20 **DIMMABLE**

B
 N
 AM
 AZ
 V
 R



Ref.		W	Lumens	Kelvin		
C-196/20	LED	7	1050	3000		
C-196/45	LED	19	3350	3000		
PS-231	NEW LED	7	1050	3000		
P-230	NEW LED	7	1050	3000		

Key

Hugo Tejada



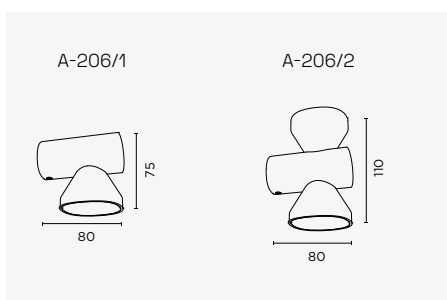


A-206/1

A-206/2

⊕ ⊖ IP20 RF850°

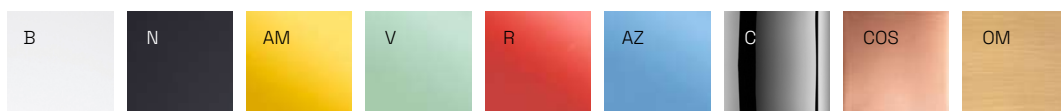
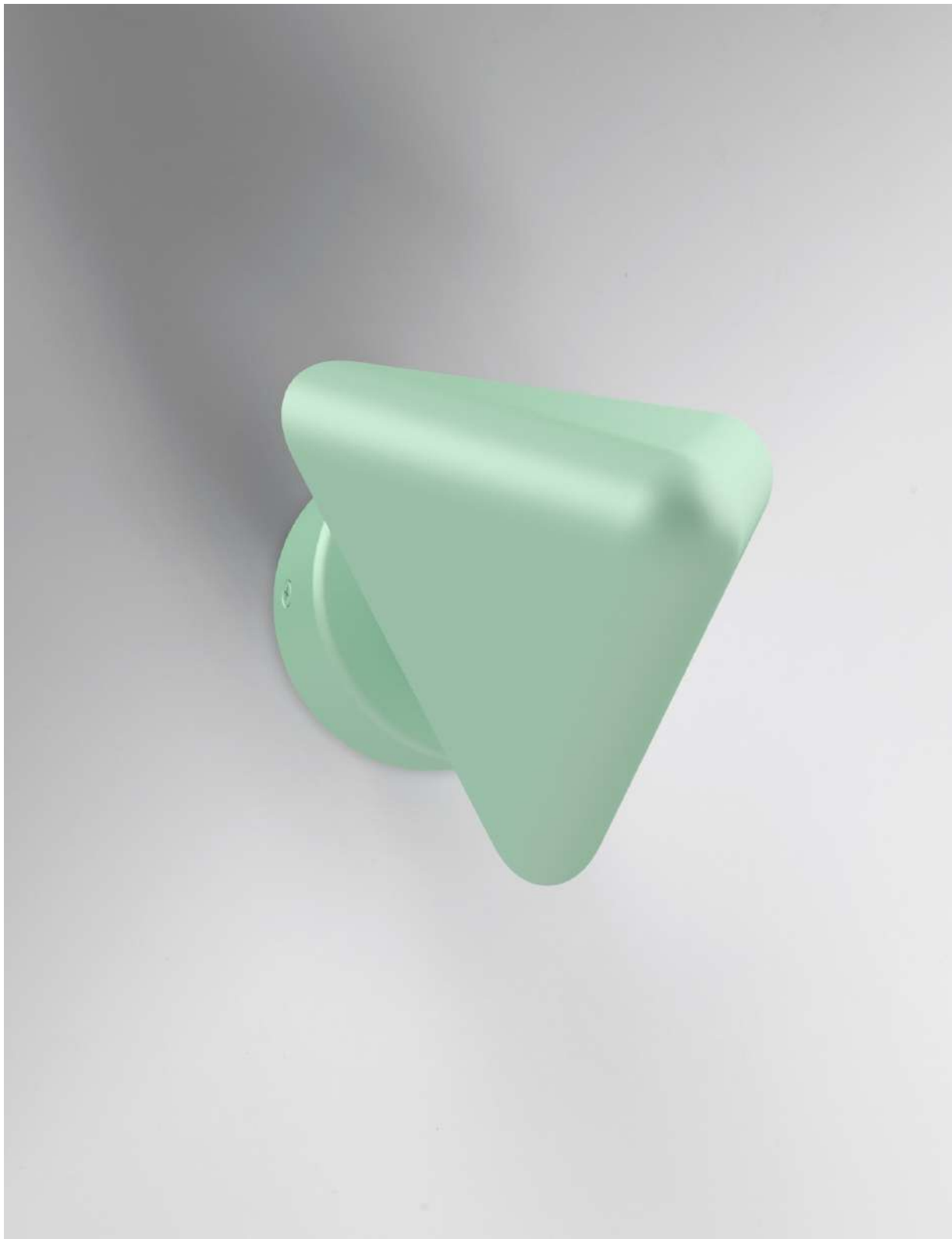
□ B ■ N ■ AM ■ AZ ■ V ■ R ■ C ■ COS ■ OM



Ref.		W	Lumens	Kelvin
A-206/1	LED	8	640	3000
A-206/2	LED	16	1280	3000

Tomas

Hugo Tejada





P-186

C-182

A-181

PS-184





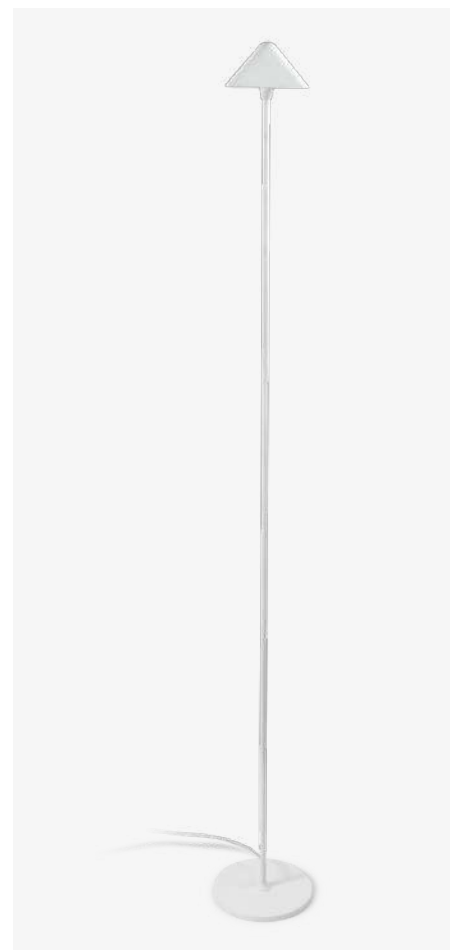




ACCESORIO/
ACCESSORY



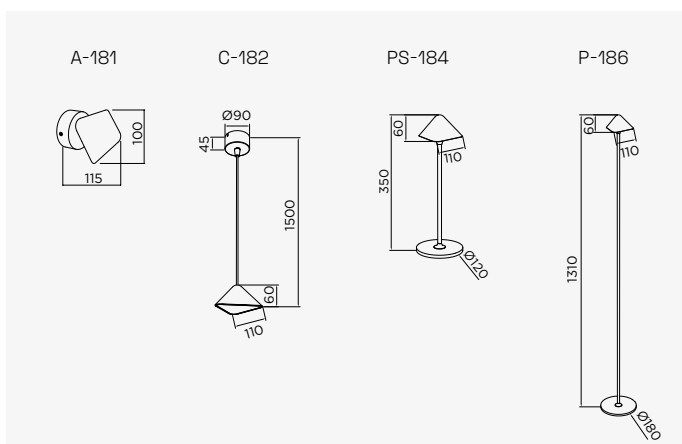
C-182



P-186

IP20 RF850°

B
 N
 AM
 AZ
 V
 R
 C
 COS
 OM



Ref.		W	Lumens	Kelvin		
A-181	LED	8	960	3000		
C-182	LED	8	960	3000		
PS-184	LED	8	960	3000		
P-186	LED	8	960	3000		

Mini Maxi

NEW

Nacho Timón



B

N

C

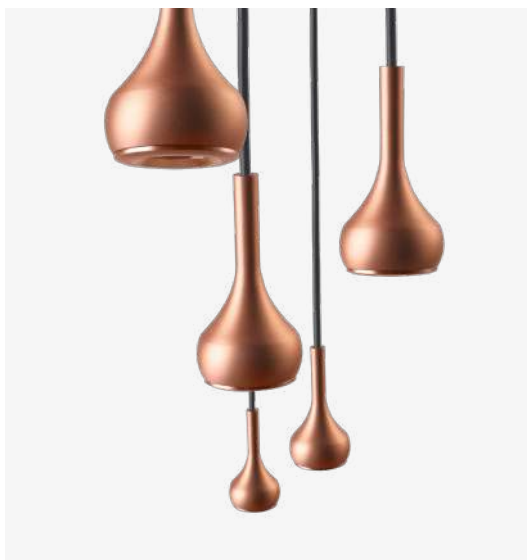
NM

COS





C-210



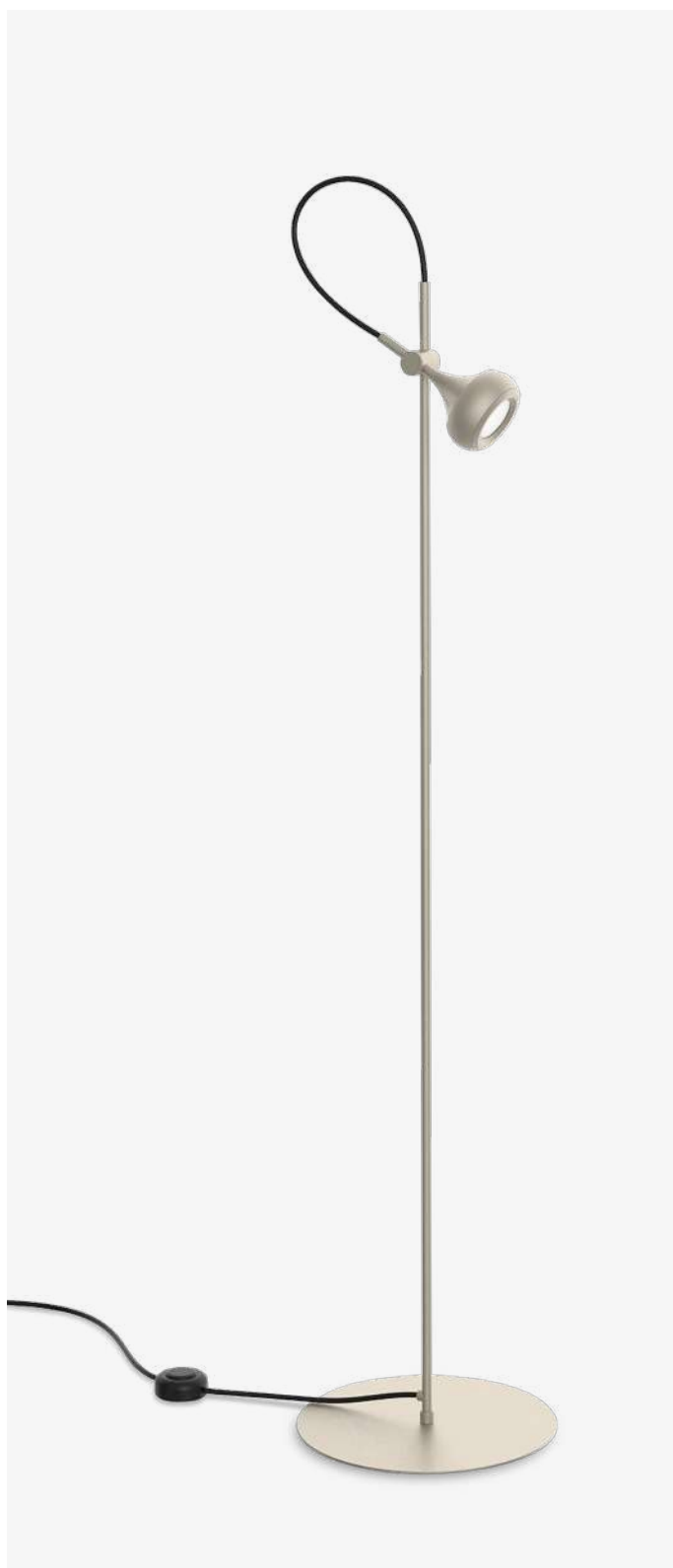
C-210



C-211



P-215



PS-213

P-215



A-208



A-208



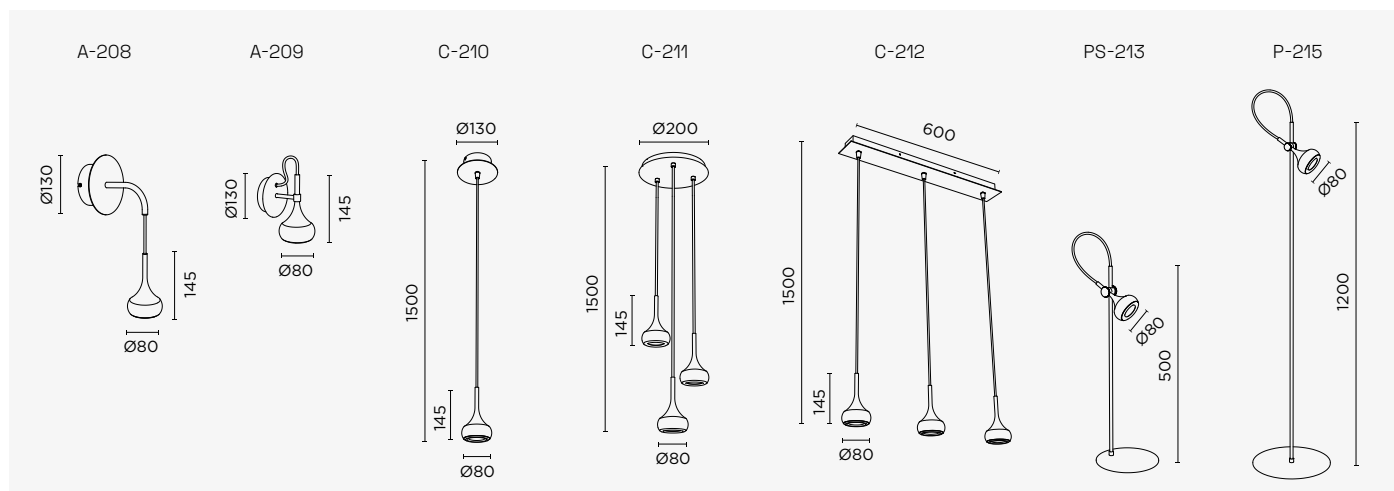
A-209

IP20 RF850°

B
 N
 C
 NM
 COS

Ref.		W	Lumens	Kelvin		
A-208	LED	8	960	3000	DIMMABLE	⊕
A-209	LED	8	960	3000	DIMMABLE	⊕
C-210	LED	8	960	3000	DIMMABLE	⊕
C-211	LED	3x8	960	3000	DIMMABLE	⊕
C-212	LED	3x8	960	3000	DIMMABLE	⊕

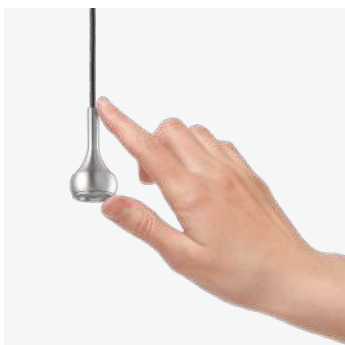
Ref.		W	Lumens	Kelvin	
PS-213	LED	8	960	3000	□
P-215	LED	8	960	3000	⊕



Mini

Nacho Timón







C-197/14





C-198/13



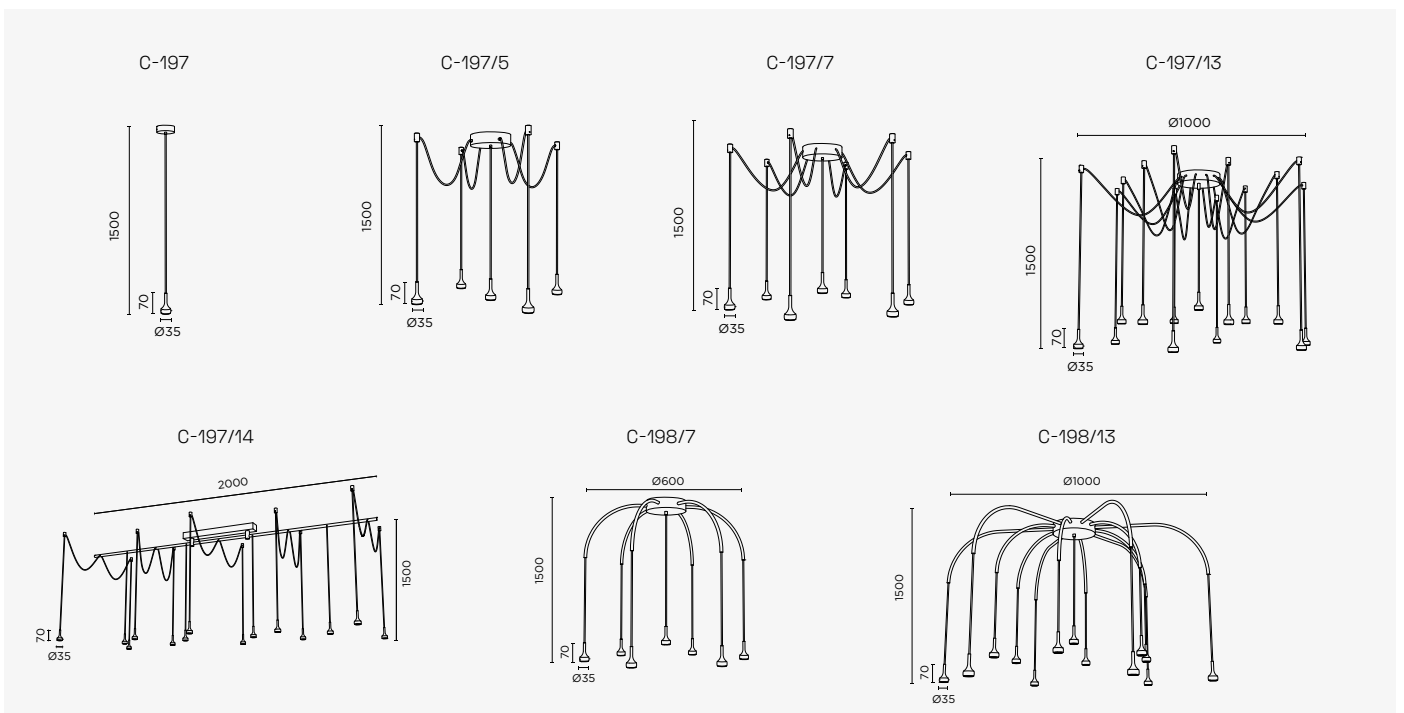
C-198/7

⊕ ⊖ IP20 RF850°

□ B ■ N ▒ C ■ NM ■ COS

Ref.		W	Lumens	Kelvin
C-197	LED	3	195	3000
C-197/5	LED	15	975	3000
C-197/7	LED	21	1365	3000
C-197/13	LED	39	2535	3000
C-197/14	LED	42	2730	3000

Ref.		W	Lumens	Kelvin
C-198/7	LED	21	1365	3000
C-198/13	LED	39	2535	3000



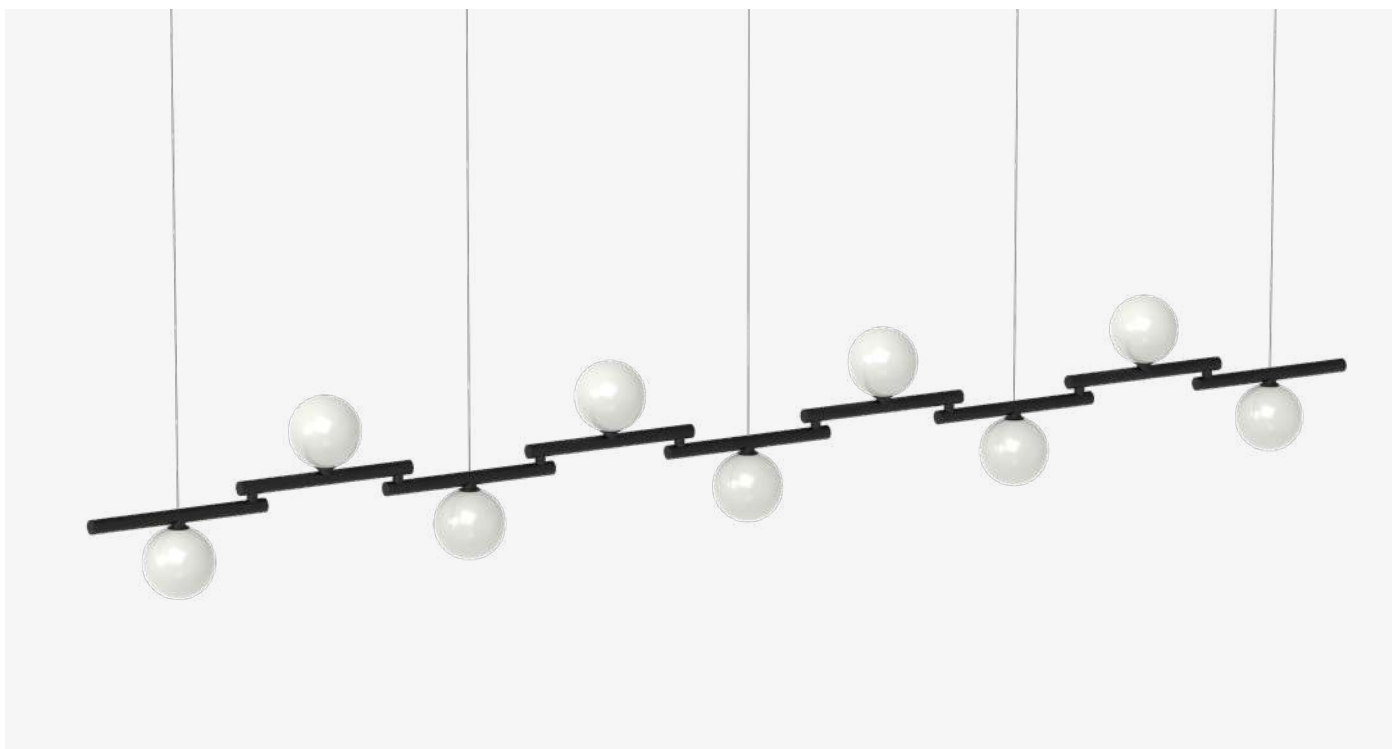
Zen **NEW**

Hugo Tejada



N

PO

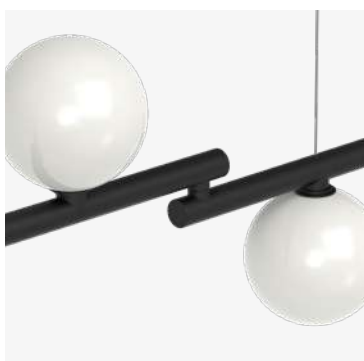
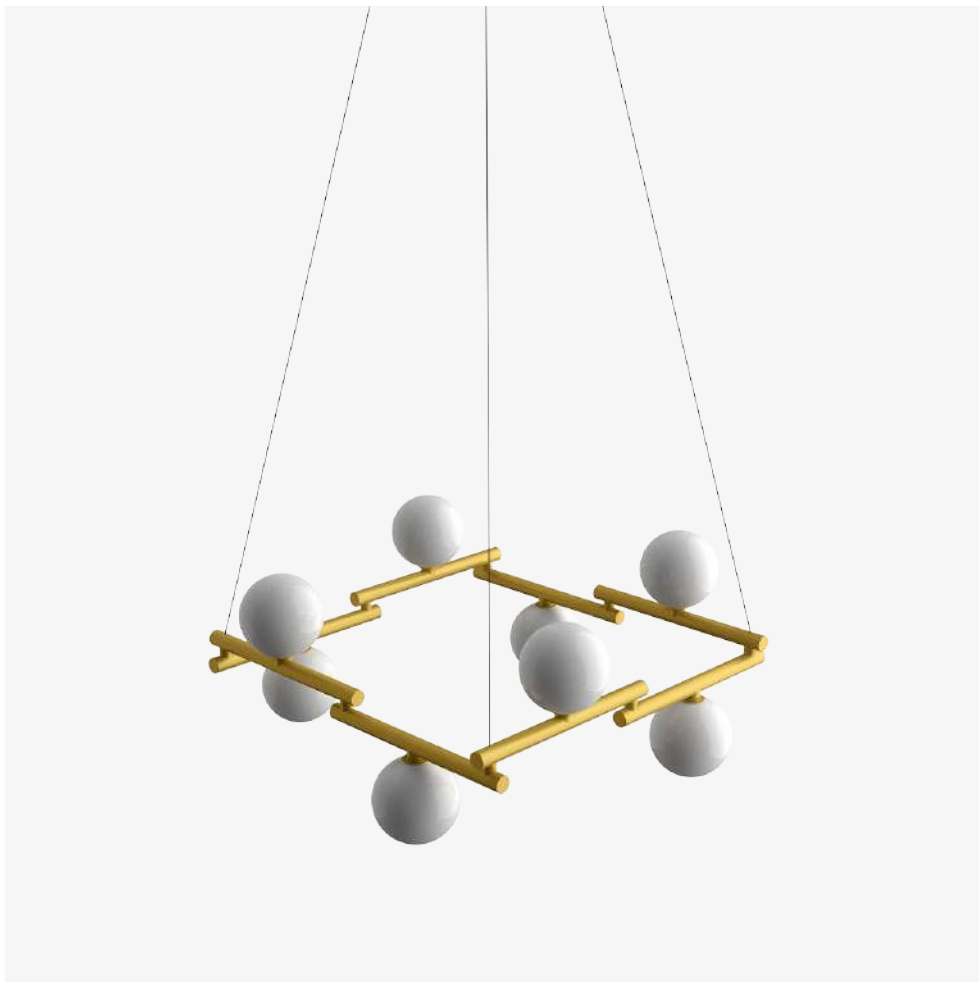


C-237/5

C-237/9



C-239/10

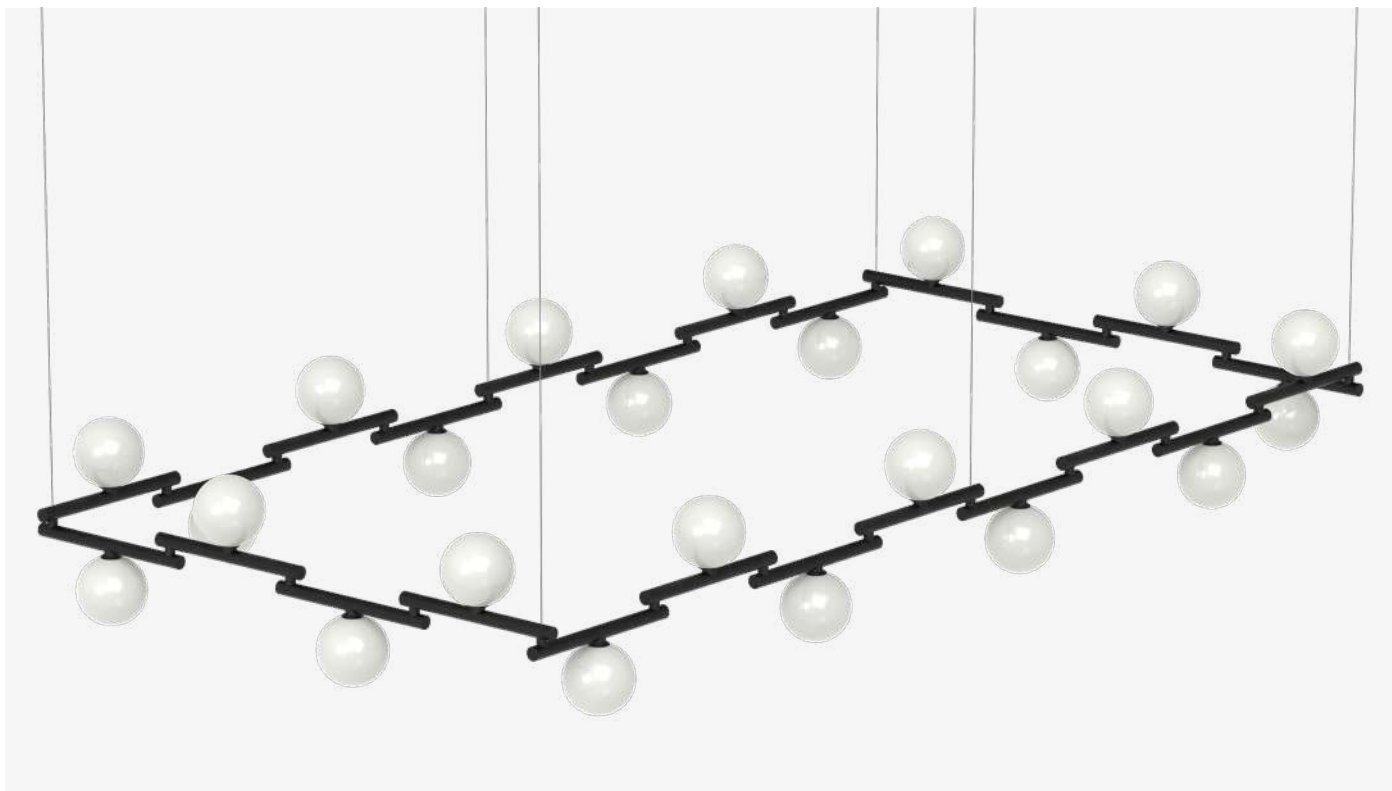


C-238/8

C-238/12



C-239/24

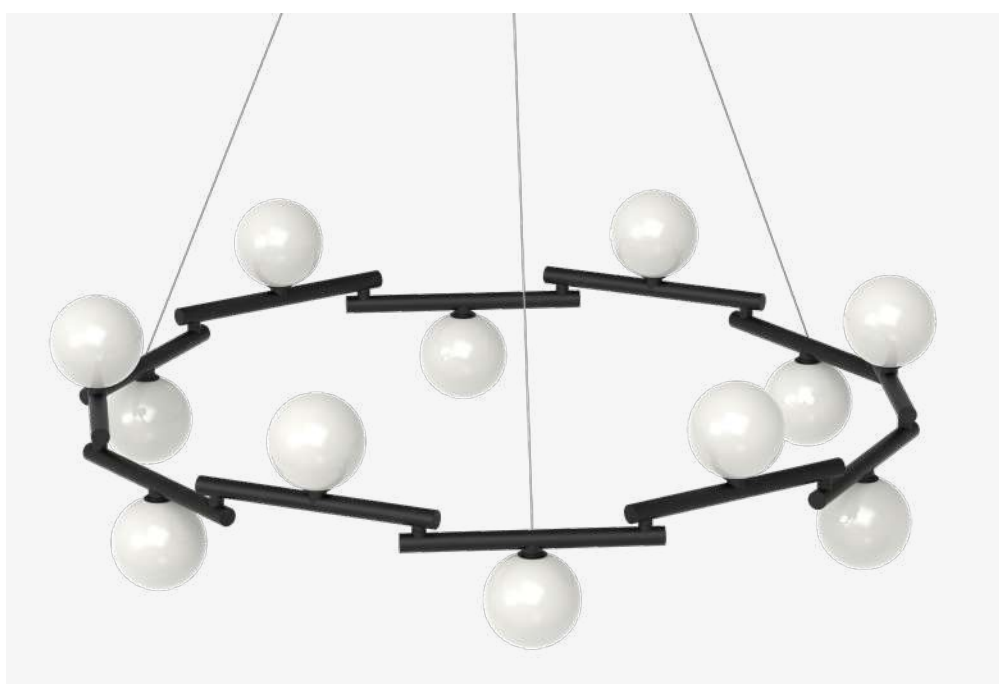
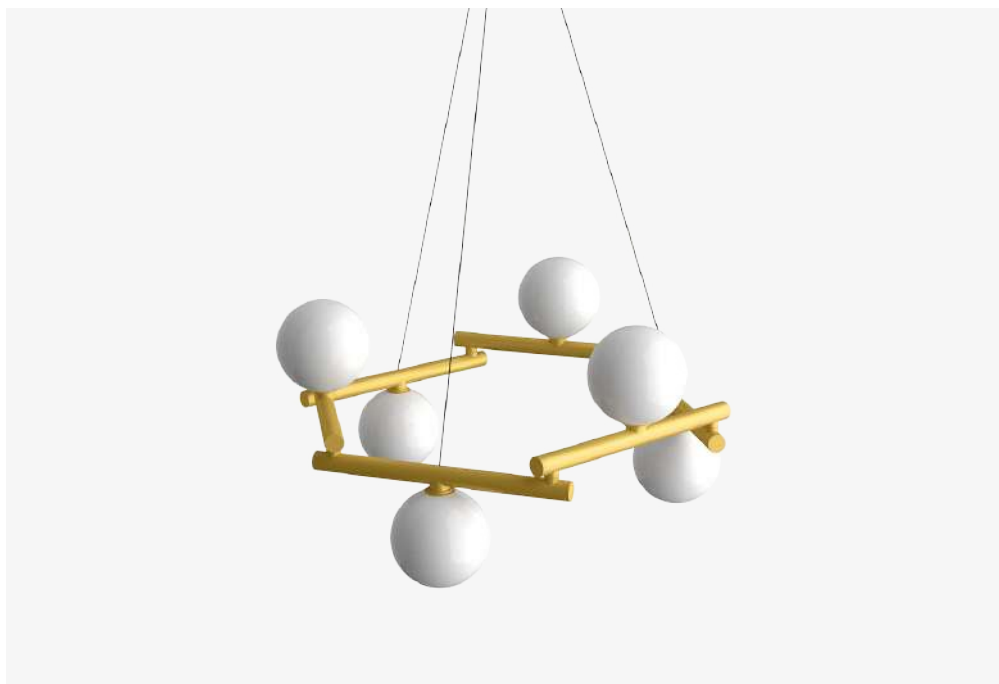


C-239/10

C-239/24



C-240/8



C-240/6

C-240/8

C-240/10



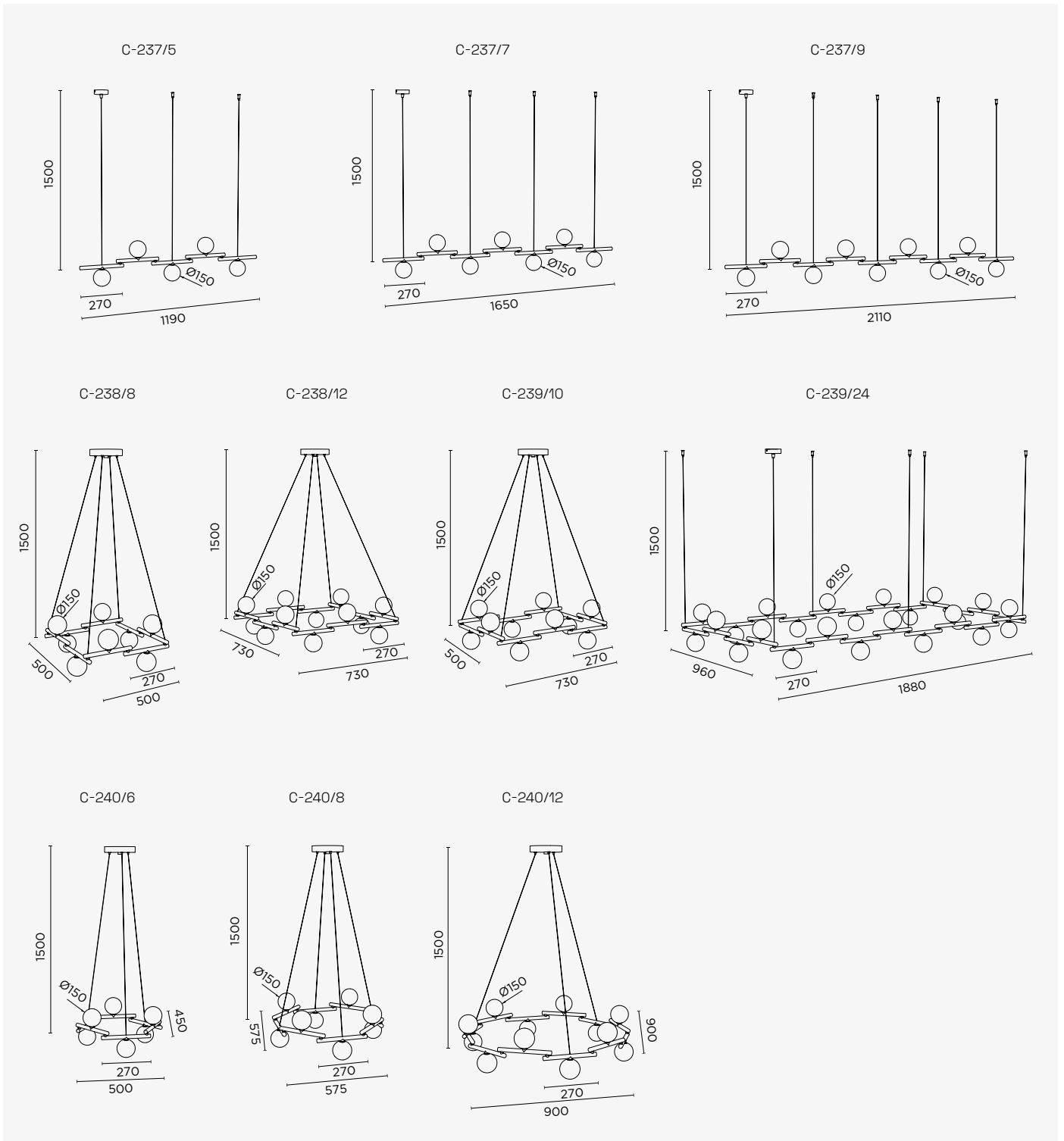
C-240/6 +
C-240/12

⊕ ⊖ IP20 RF850°

■ N ■ PO

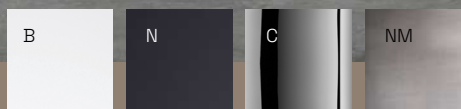
Ref.	
C-237/5	5xE-27 LED
C-237/7	7xE-27 LED
C-237/9	9xE-27 LED
C-238/8	8xE-27 LED
C-238/12	12xE-27 LED

Ref.	
C-239/10	10xE-27 LED
C-239/24	24xE-27 LED
C-240/6	6xE-27 LED
C-240/8	8xE-27 LED
C-240/12	12xE-27 LED



Prim

Equipo Pujol





A-155/120

A-155/90

A-155/30

Prim



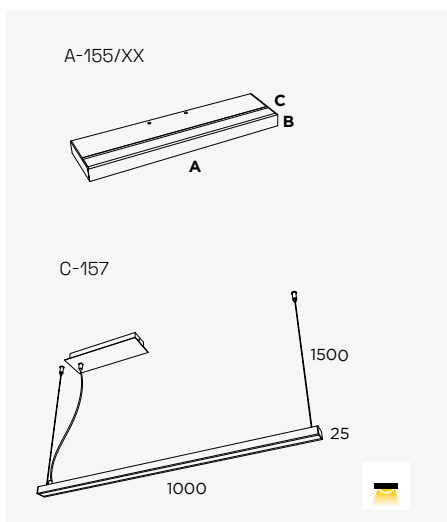
C-157



C-157

⊕ ⊖ IP20

□ B ■ N ▨ C ■ NM



Ref.		W	Lumens	Kelvin	A	B	C
A-155/30	LED	16	2650	3000	300	25	100
A-155/60	LED	32	5300	3000	600	25	100
A-155/90	LED	47	7950	3000	900	25	100
A-155/120	LED	62	10600	3000	1200	25	100
C-157	LED	23	4000	3000			

Iris

Equipo Pujol





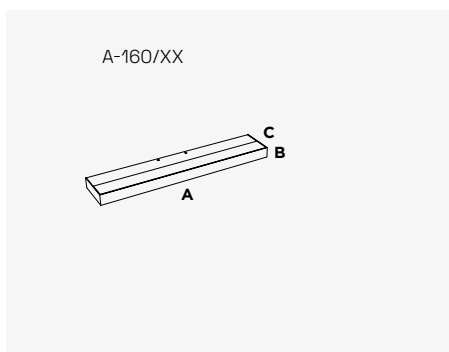
A-160/60



A-160/30

⊕ ⊖ IP20 RF850°

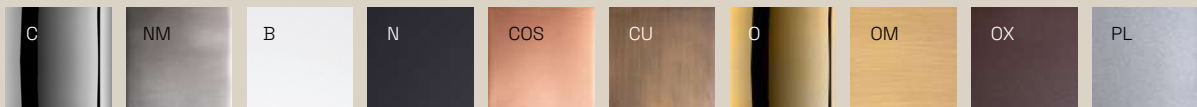
□ B ■ N ▨ C ■ NM



Ref.		W	Lumens	Kelvin		A	B	C
A-160/30	LED	16	2650	3000	DIMMABLE	300	36	100
A-160/30/NR	LED	16	2650	3000		300	36	100
A-160/60	LED	32	5300	3000	DIMMABLE	600	36	100
A-160/60/NR	LED	32	5300	3000		600	36	100
A-160/90	LED	47	7950	3000	DIMMABLE	900	36	100
A-160/90/NR	LED	47	7950	3000		900	36	100
A-160/120	LED	62	10600	3000	DIMMABLE	1200	36	100
A-160/120/NR	LED	62	10600	3000		1200	36	100

Apolo

Equipo Pujol

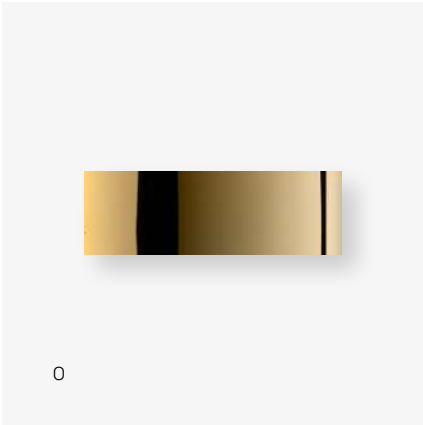
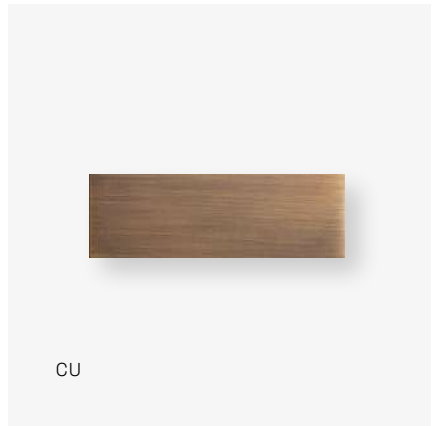
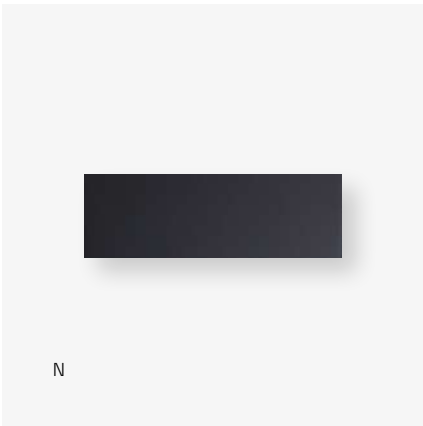
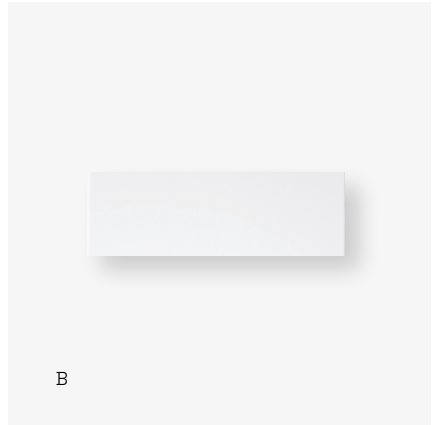
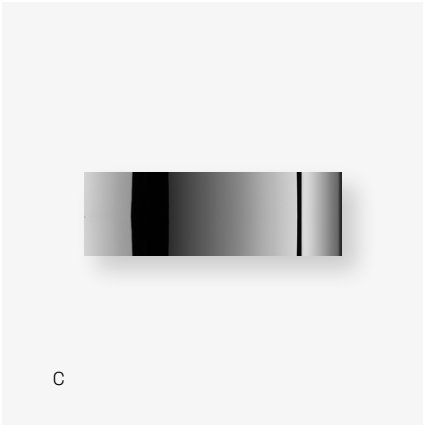




A-812/90

A-812/120

A-811/150





A-812 + A-812/15

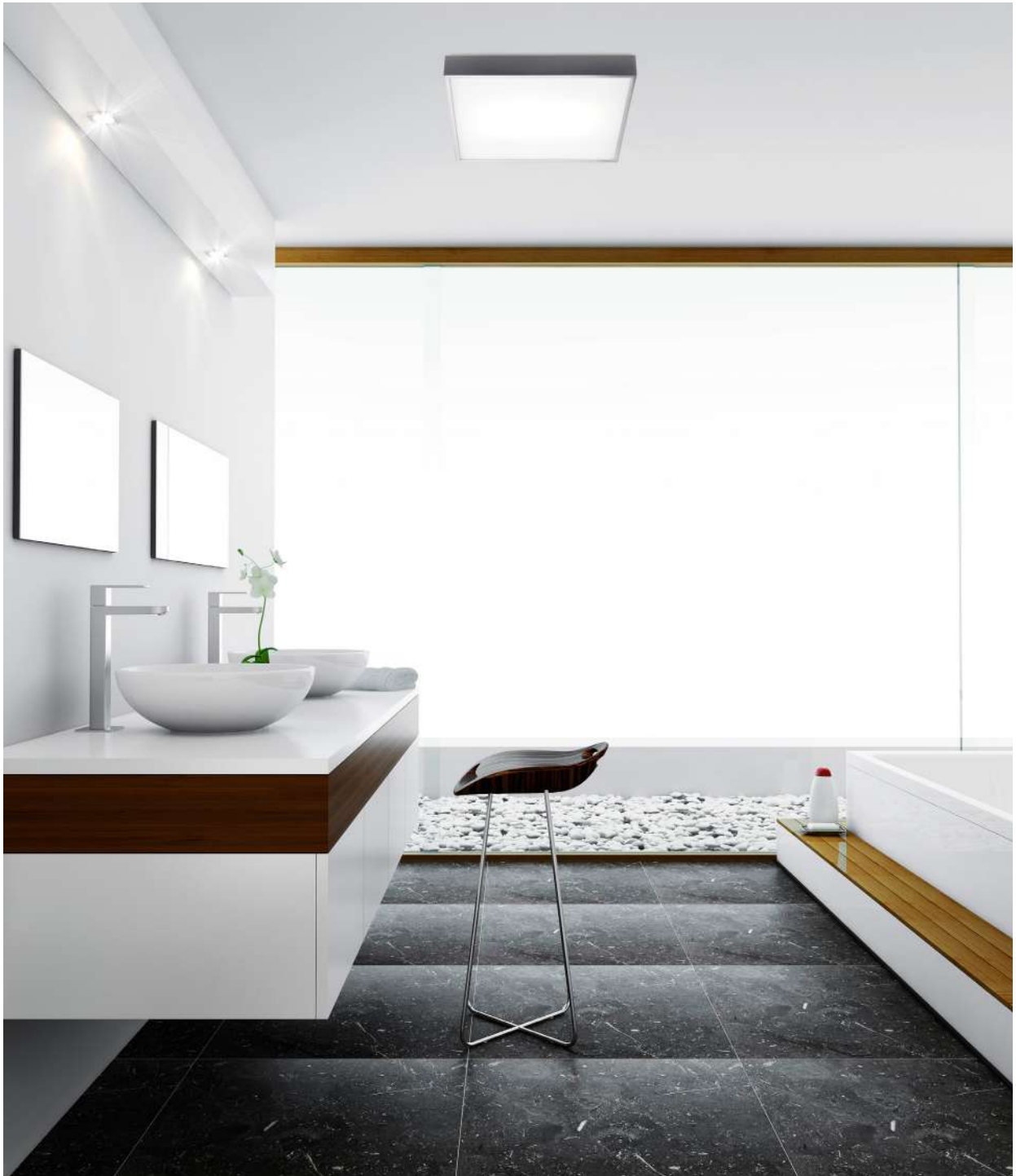


A-811/40



PL-881/35 LED

PL-881/20 LED

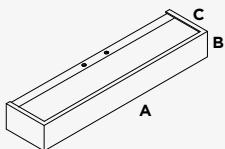


PL-881/50 LED



C-824/120 LED

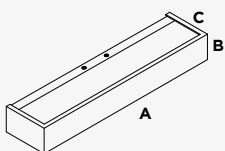
A-812 / XX



Ref.		W	Lumens	Kelvin		A	B	C
A-812	LED	8	1300	3000	DIMMABLE	100	50	100
A-812/15	LED	16	2650	3000	DIMMABLE	150	50	100
A-812/30	LED	16	2650	3000	DIMMABLE	300	50	100
A-812/60	LED	32	5300	3000	DIMMABLE	600	50	100
A-812/90	LED	47	7950	3000	DIMMABLE	900	50	100
A-812/120	LED	62	10600	3000	DIMMABLE	1200	50	100
A-812/150	LED	78	13250	3000	DIMMABLE	1500	50	100

Cromo sólo venta USA / ESP / POR
 Chrome only for USA / ESP / POR

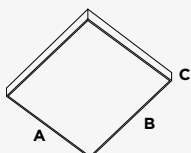
A-811 / XX



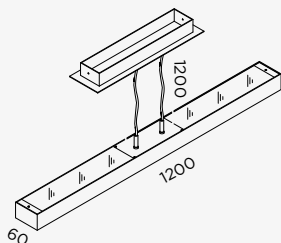
Ref.		W	Lumens	Kelvin	IP	A	B	C
A-811	G9 LED				IP44	100	50	100
A-811/15	R7s LED 118mm				IP44	150	50	100
A-811/15 LED	LED	12	860	3000	IP20	150	50	100
A-811/25	R7s LED 118mm				IP44	250	50	100
A-811/25 LED	LED	12	860	3000	IP20	250	50	100
A-811/40	2xR7s LED 118mm				IP44	400	50	100
A-811/40 LED	LED	19	1400	3000	IP20	400	50	100
A-811/60	3xR7s LED 118mm				IP44	600	50	100
A-811/60 LED	LED	19	1400	3000	IP20	600	50	100
A-811/80	2xT5	24			IP20	800	50	100
A-811/80 LED	LED	29	2100	3000	IP20	800	50	100
A-811/80/HL	4xR7s LED 118mm				IP44	800	50	100
A-811/120	1xT5	54			IP20	1200	50	100
A-811/120 LED	LED	44	3300	3000	IP20	1200	50	100
A-811/120/HL	5xR7s LED 118mm				IP44	1200	50	100
A-811/150	1xT5	80			IP20	1500	50	100
A-811/150 LED	LED	56	4200	3000	IP20	1500	50	100
A-811/150/HL	6xR7s LED 118mm				IP44	1500	50	100

Cromo sólo venta USA / ESP / POR
 Chrome only for USA / ESP / POR

PL-881 / XX



C-824 / 120 LED



Ref.		W	Lumens	Kelvin		A	B	C
PL-881/20 LED	LED	17	2220	3000		200	200	70
PL-881/35 LED	LED	20	3200	3000		350	350	70
PL-881/50 LED	LED	34	4600	3000		500	500	70
C-824/120 LED	LED	40	3300	3000				

Apolo emergency

emergency 1H / 20%



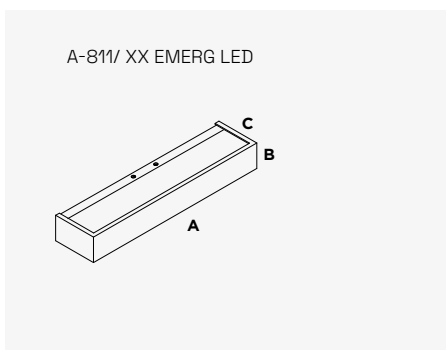
A-811/40 EMERG LED



A-811/25 EMERG LED

⊕ ⊖ IP20 RF850°

■ C ■ NM □ B ■ PL



Ref.		W	Lumens	Kelvin	A	B	C
A-811/25 EMERG LED	LED	16	2750	3000	250	50	140
A-811/40 EMERG LED	LED	18	2900	3000	400	50	120
A-811/60 EMERG LED	LED	32	5300	3000	600	50	100

Apolo IP65





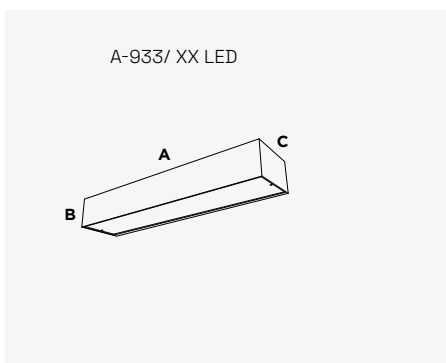
A-933/25 LED



A-933/40 LED

⊕ ⊖ IP65 RF850°

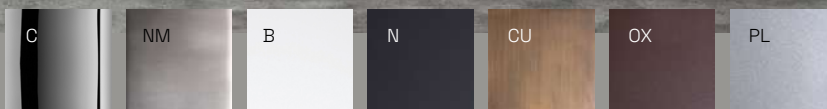
□ B ■ N ▒ PL



Ref.		W	Lumens	Kelvin	A	B	C
A-933/25 LED	LED	16	2500	3000	250	60	100
A-933/40 LED	LED	16	2700	3000	400	60	100

Arcos

Equipo Pujol





A-914/30



A-914/15



A-914/90

A-914/60

A-914/30





A-911/120



A-911/80



A-913/60 LED



A-913/90 LED



PL-912-40 LED

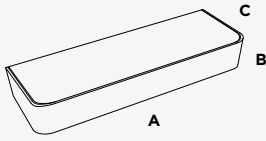


PL-912/60 LED

IP20 RF850° DIMMABLE

C NM B N CU OX PL

A-914 / XX

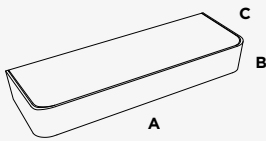


Ref.		W	Lumens	Kelvin		A	B	C
A-914/15	LED	16	2650	3000	DIMMABLE	150	45	100
A-914/30	LED	16	2650	3000	DIMMABLE	300	45	100
A-914/60	LED	32	5300	3000	DIMMABLE	600	45	100
A-914/90	LED	47	7950	3000	DIMMABLE	900	45	100
A-914/120	LED	62	10600	3000	DIMMABLE	1200	45	100
A-914/150	LED	78	13250	3000	DIMMABLE	1500	45	100

IP20 RF850°

C NM B

A-911 / XX

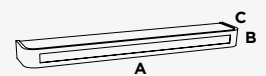


Ref.		W	Lumens	Kelvin		A	B	C
A-911/15	1xR7s LED 118mm					150	45	100
A-911/15 LED	LED	12	860	3000		150	45	100
A-911/25	1xR7s LED 118mm					250	45	100
A-911/25 LED	LED	12	860	3000		250	45	100
A-911/40	2xR7s LED 118mm					400	45	100
A-911/40 LED		19	1400	3000		400	45	100
A-911/60	3xR7s LED 118mm					600	45	100
A-911/60 LED		19	1400	3000		600	45	100
A-911/80	2xT5	24 max.				800	45	100
A-911/80 LED		29	2150	3000		800	45	100
A-911/120	1xT5	54 max.				1200	45	100
A-911/120 LED		44	3300	3000		1200	45	100
A-911/150	1xT5	80 max.				1500	45	100
A-911/150 LED		56	4150	3000		1500	45	100

IP20 RF850°

C NM B

A-913 / XX

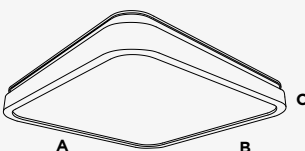


Ref.		W	Lumens	Kelvin		A	B	C
A-913/60	1xT5	24				600	45	100
A-913/60 LED	LED	16	2650	3000		600	45	100
A-913/90	1xT5	39				900	45	100
A-913/90 LED	LED	23	4000	3000		900	45	100
A-913/120	1xT5	54				1200	45	100
A-913/120 LED	LED	31	5300	3000		1200	45	100
A-913/150	1xT5	80				1500	45	100
A-913/150 LED	LED	39	6650	3000		1500	45	100

IP20 RF850°

C NM

PL-912 - XX



Ref.		W	Lumens	Kelvin		A	B	C
PL-912-20 LED	LED	17	2220	3000		200	200	70
PL-912-40 LED	LED	23	3300	3000		400	400	70
PL-912-60 LED	LED	35	4600	3000		600	600	70

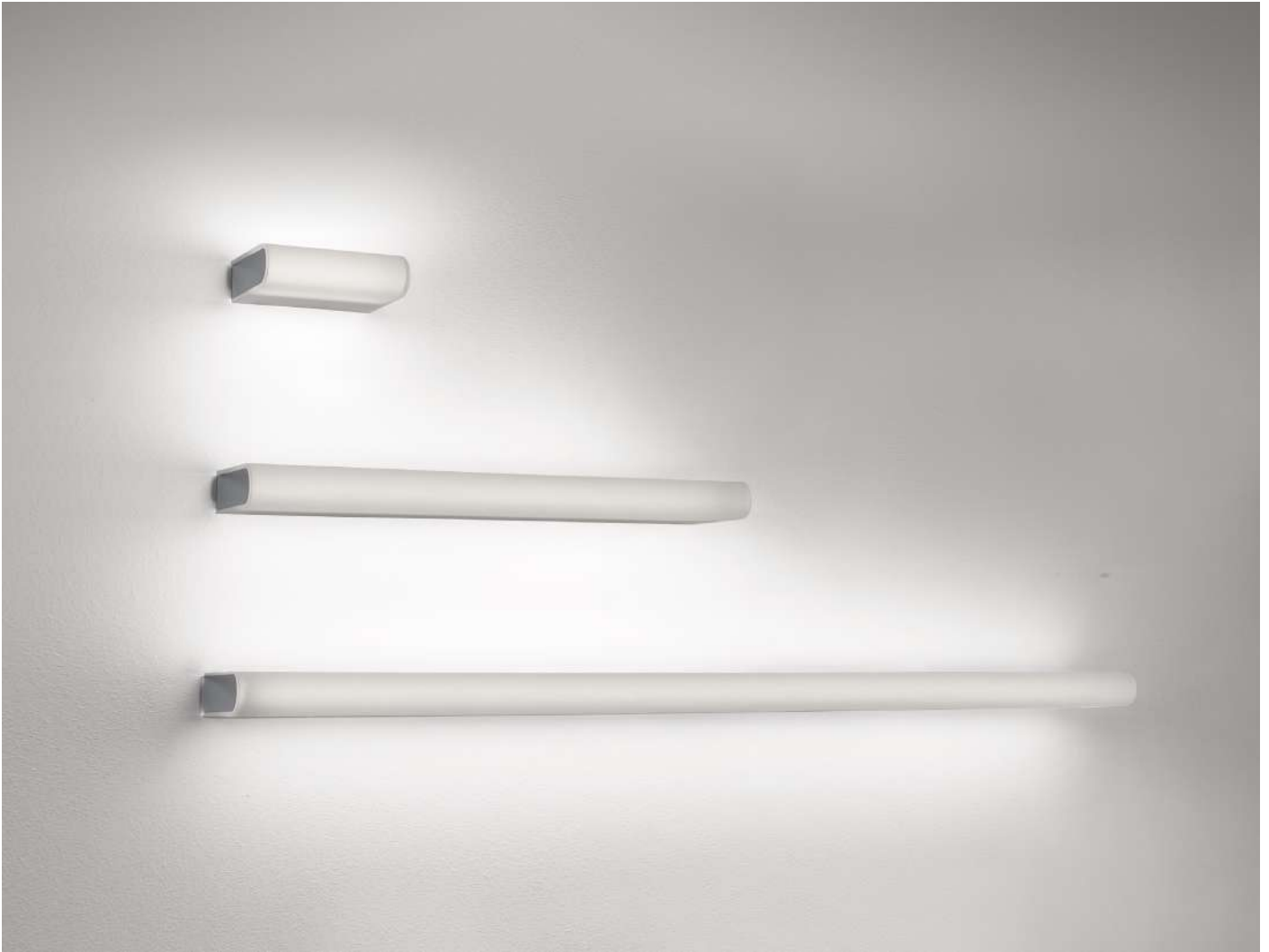
Opal

Hugo Tejada



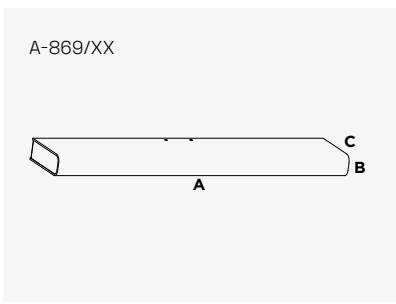








A-869/15
A-869/60
A-869/120





 IP20 RF850°  DIMMABLE 



Ref.		W	Lumens	Kelvin		A	B	C
A-869/15	LED	8	1280	3000		150	45	110
A-869/40	LED	8	1250	3000		400	45	110
A-869/60	LED	16	2650	3000		600	45	110
A-869/90	LED	23	4000	3000		900	45	110
A-869/120	LED	32	5300	3000		1200	45	110

Cromo sólo venta USA / ESP / POR
Chrome only for USA / ESP / POR



A-869/90



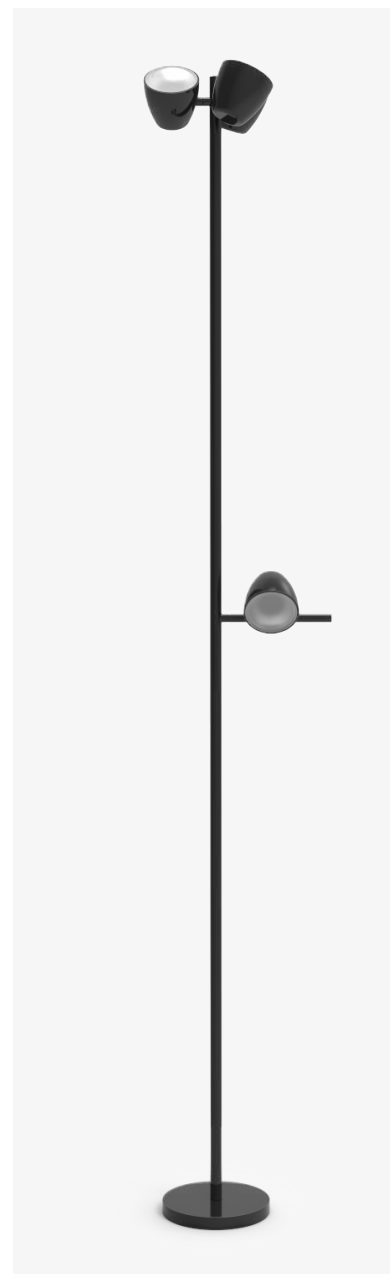
Trio

Aggo Estudi





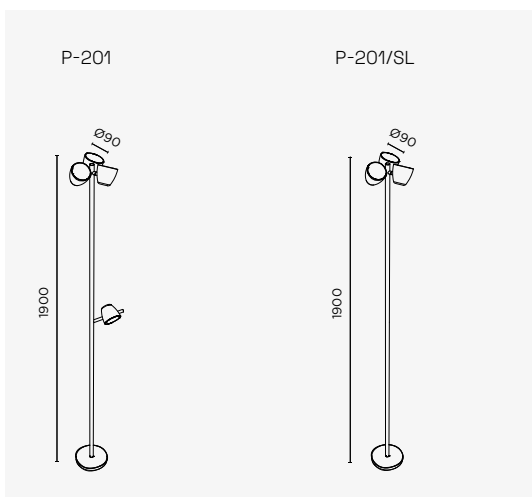
P-201/SL



P-201

⊕ ⊖ IP20 DIMMABLE

□ B ■ N ▒ C

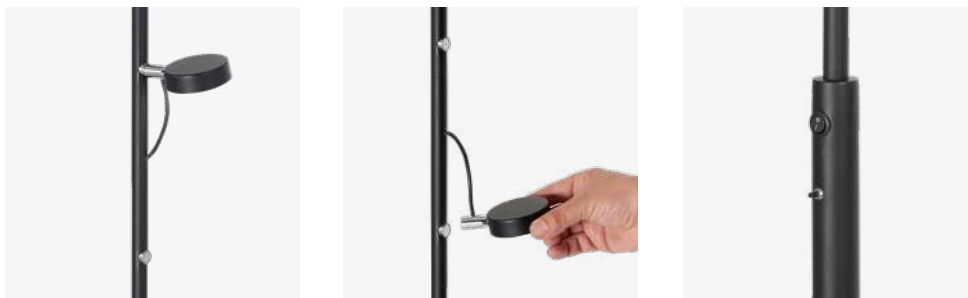


Ref.		W	Lumens	Kelvin	
P-201	LED	3 x 8	970 (2900)	3000	DIMMABLE ON-OFF
		8	970	3000	
P-201/SL	LED	3 x 8	970 (2900)	3000	DIMMABLE

Lux

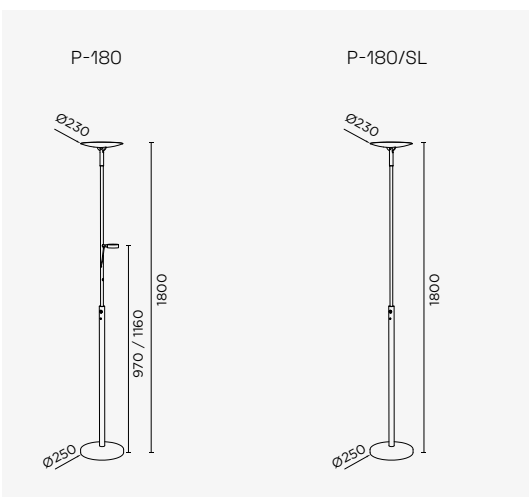
Equipo Pujol





⊕ ⊖ IP20 DIMMABLE

□ B ■ N ▨ C ■ NM □ PL ■ OX



Ref.		W	Lumens	Kelvin	
P-180	LED	39	4000	3000	DIMMABLE
		6	900	3000	ON-OFF
P-180/SL	LED	39	4000	3000	DIMMABLE

Thin

Equipo Pujol

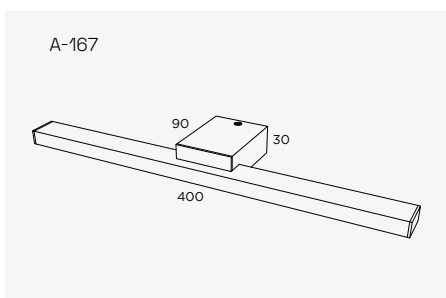




A-167

⊕ ⊖ IP20

■ C ■ NM □ B



Ref.		W	Lumens	Kelvin
A-167	LED	7	500	3000

Agora

P.Legna

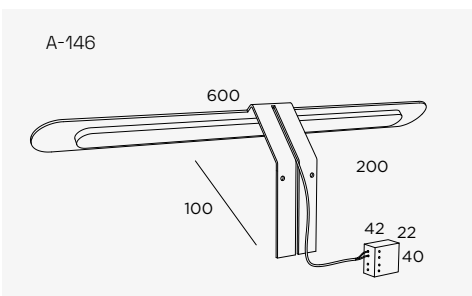




A-146

□ ▽ IP20 RF850°

■ C ■ NM



Ref.		W	Lumens	Kelvin
A-146	LED	8	580	3000

Ado

Equipo Pujol



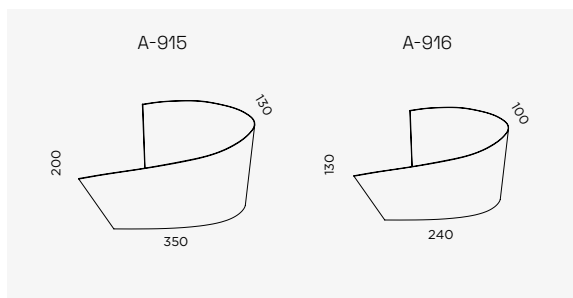


A-915

A-916

⊕ ⊖ IP20 RF850°

■ C ■ NM



Ref.		W
A-915	1xR7s 78mm	120 max.
A-915/PL	1xE-27 LED	
A-916	1xG9	48 max.
A-916/PL	1xE-14 LED	

Brindis

P. Legna





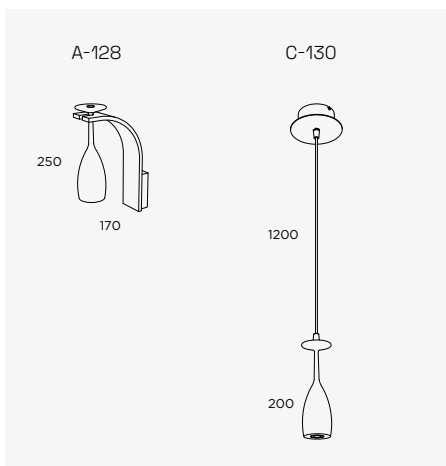
A-128



C-130

⊕ ⊖ IP20 RF850°

■ C ■ NM



Ref.		W	Lumens	Kelvin
A-128	LED	6	900	3000
C-130	LED	6	900	3000

Plasma

Equipo Pujol

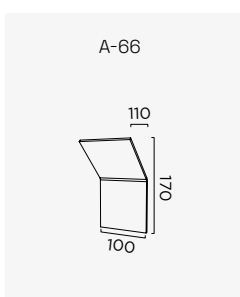




A-66

⊕ ⊖ IP20 RF850°

■ C ■ NM □ B



Ref.		W	Lumens	Kelvin
A-66	LED	5	750	3000

Bola

Equipo Pujol



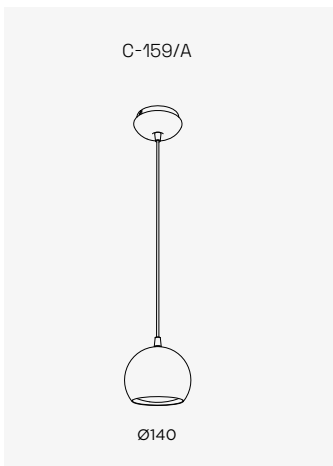



C-159/A



 IP20 RF850°  DIMMABLE

 C
  NM
  B
  COS



Ref.		W	Lumens	Kelvin	
C-159/A	LED	7	970	3000	 DIMMABLE

Aura

Equipo Pujol





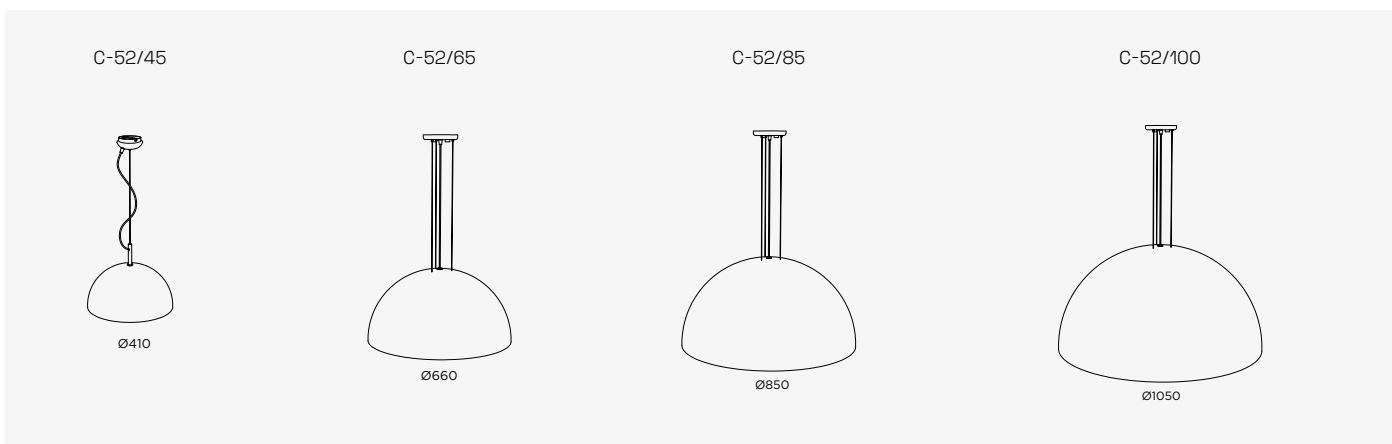
C-52/45

⊕ ⊖ IP20 RF850°

■ N

Ref.	
C-52/45	1xE-27 LED
C-52/65	1xE-27 LED

Ref.	
C-52/85	1xE-27 LED
C-52/100	1xE-27 LED



Masai

Hector Alonso



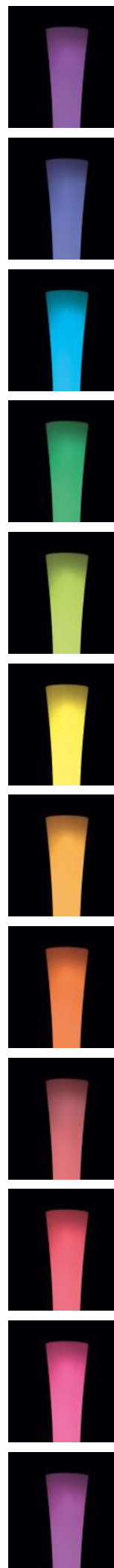
B



P-932/INT/REG



P-932/EXT IP65 + KIT/932





KIT/932

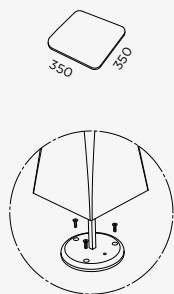
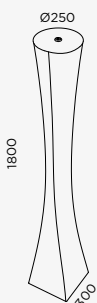
P-932/EXT IP65
P-932/EXT/RGB

RF850°

B

P-932/INT/REG
P-932/INT/RGB
P-932/EXT IP65
P-932/EXT/RGB

KIT/932
(opcional) Base extra para exterior
(optional) Extra base for outdoor



Ref.		W	IP	
P-932/INT/REG	2xT5	80	IP20	DIMMABLE
P-932/INT/RGB	LED RGB		IP20	
P-932/EXT IP65	2xT5	80	IP65	DIMMABLE
P-932/EXT/RGB	LED RGB		IP65	
KIT/932	(OPCIONAL) Base extra para exterior (OPTIONAL) Extra base for outdoor			4m

Giravolt

Carlos Puchol




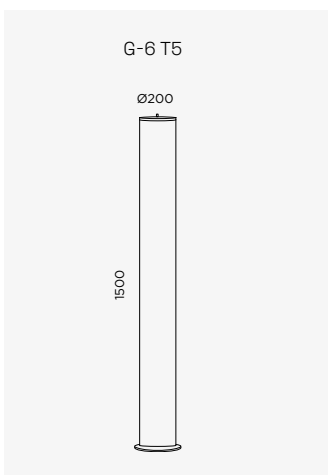



G-6 T5



 IP20
 
 DIMMABLE

 C
  NM



Ref.	W		
G-6 T5	2xT5	2x54	 DIMMABLE

Eve

AI+D



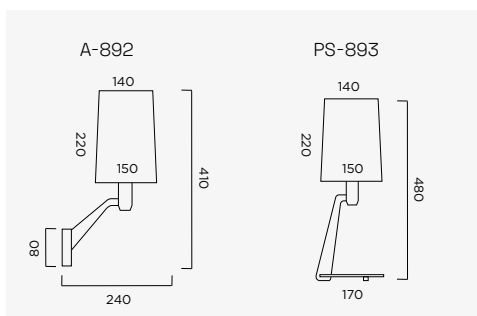


A-892

PS-893

□ ▽ IP20 RF850°

■ C ■ NM



Ref.		W
A-892	1xE-27 PL	15 max.
PS-893	1xE-27 PL	15 max.

Plafó

Equipo Pujol





PL-190/40

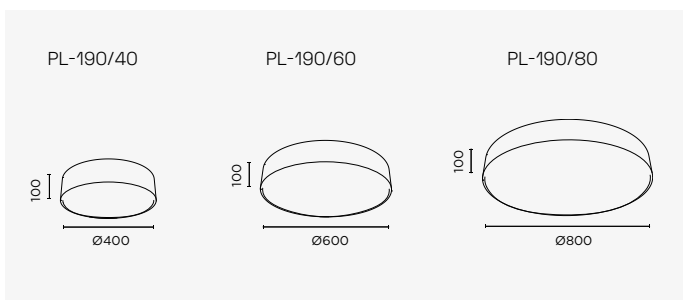
PL-190/60

PL-190/80



 IP20
 
 DIMMABLE

B
 N



Ref.		W	Lumens	Kelvin
PL-190/40	LED	34	3860	3000
PL-190/60	LED	75	8690	3000
PL-190/80	LED	142	16400	3000

Mini Plafon

Equipo Pujol



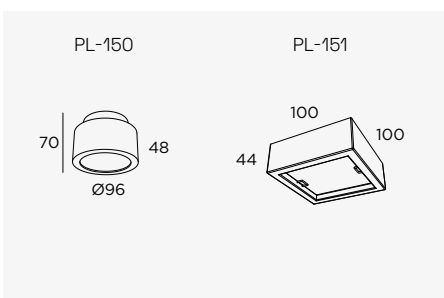


PL-150

PL-151

⊕ ⊖ RF850°

■ C ■ NM □ B ■ N



Ref.		W	Lumens	Kelvin	IP
PL-150	LED	5	750	3000	IP44
PL-151	LED	5	750	3000	IP20

Esferic

Equipo Pujol



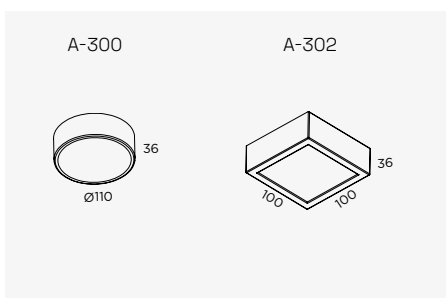


A-300

A-302

⊕ ⊗ IP20 RF850°

■ C ■ NM □ B ■ N ■ CU ■ O ■ OM ■ OX ■ PL



Ref.

A-300 G9 LED

A-302 G9 LED

Cuina

Equipo Pujol

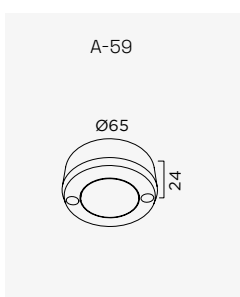




A-59

⊕ ⊖ IP20 RF850°

■ C ■ AL □ B



Ref.	W	Lumens	Kelvin	
A-59	LED	4	400	3000

Bric

Equipo Pujol



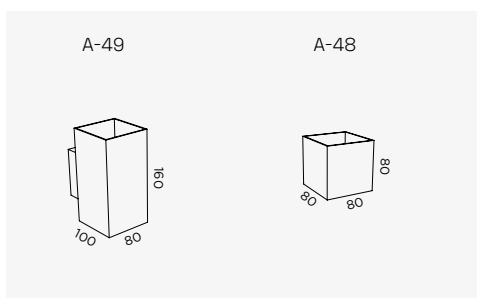


A-49

A-48

⊕ ⊖ IP20 RF850°

□ B ■ C ■ NM



Ref.		W	Lumens	Kelvin
A-49	LED	8	800	3000
A-48	LED	8	800	3000

Cil

Equipo Pujol

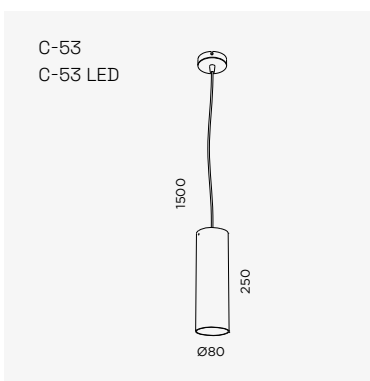




C-53

□ ▽ IP20 RF850°

□ B ▬ C ■ NM ■ COS



Ref.		W	Lumens	Kelvin
C-53	1xE-27 PL	18		
C-53 LED	LED	8	900	3000

Lula

Equipo Pujol



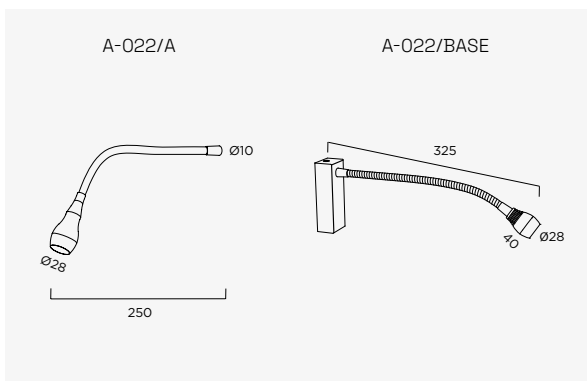


A-022/A

A-022/BASE

□ ▽ IP20 RF850°

□ B ■ N ▨ C ■ NM



Ref.		W	Lumens	Kelvin	
A-022/A	LED	3	195	3000	30°
A-022/BASE	LED	3	195	3000	30°

Basic

Equipo Pujol





A-46

A-47

A-170

A-158

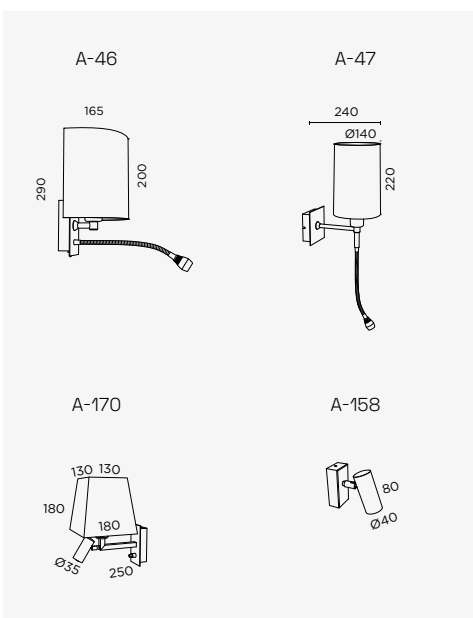




A-46

⊕ IP20 RF850°

C NM



Ref.		W	Lumens	Kelvin	
A-46	1xE-27 PL	15			☼
	LED	3	195	3000	
A-47	1xE-27 PL	15			☼
	LED	3	195	3000	
A-170	1xE-27 PL	15			☼
	LED	6	900	3000	
A-158	LED	4	400	3000	☼

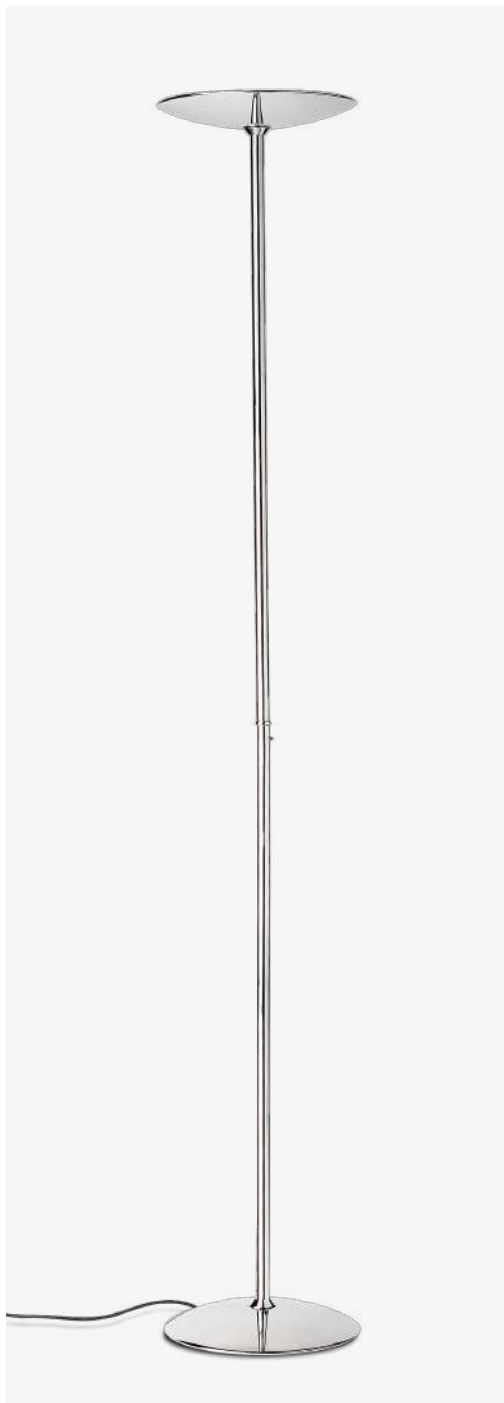
Gregal

Equipo Pujol



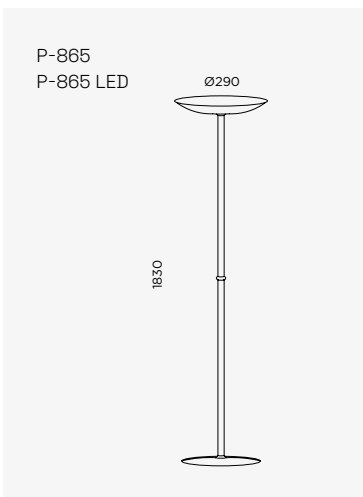




 DIMMABLE



  IP20 RF850°  DIMMABLE

B C NM



Ref.		W	Lumens	Kelvin	
P-865	1xR7s 118mm	230 max.			 DIMMABLE
P-865 LED	LED	39	4000	3000	 DIMMABLE

Cosmos

Equipo Pujol









 DIMMABLE
 ON-OFF

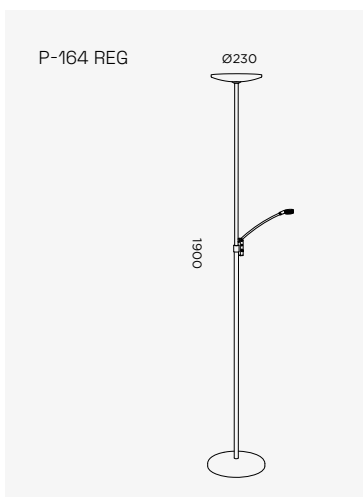




 ON-OFF



  IP20  RF850°  DIMMABLE

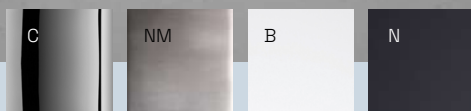
 B  C  NM  CU



Ref.		W	Lumens	Kelvin	
P-164 REG	LED	39	4000	3000	
		3	195	3000	

Del

Equipo Pujol







PS-33



A-34

PS-33



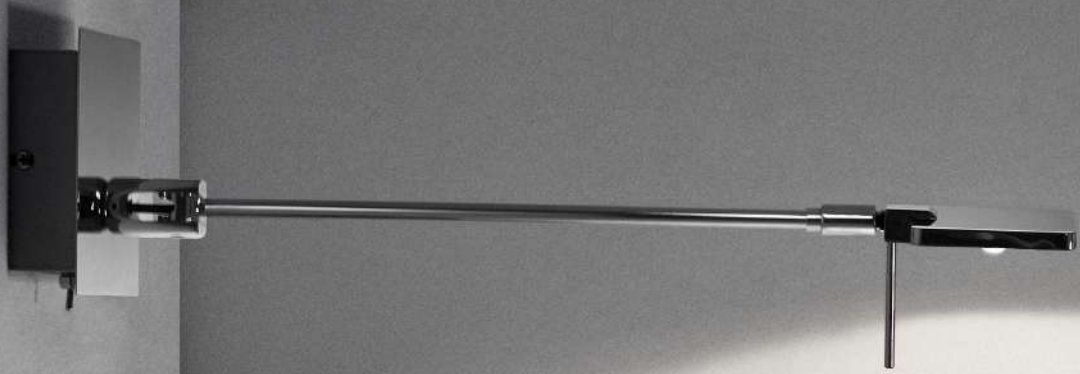
PS-75



P-76



PS-75





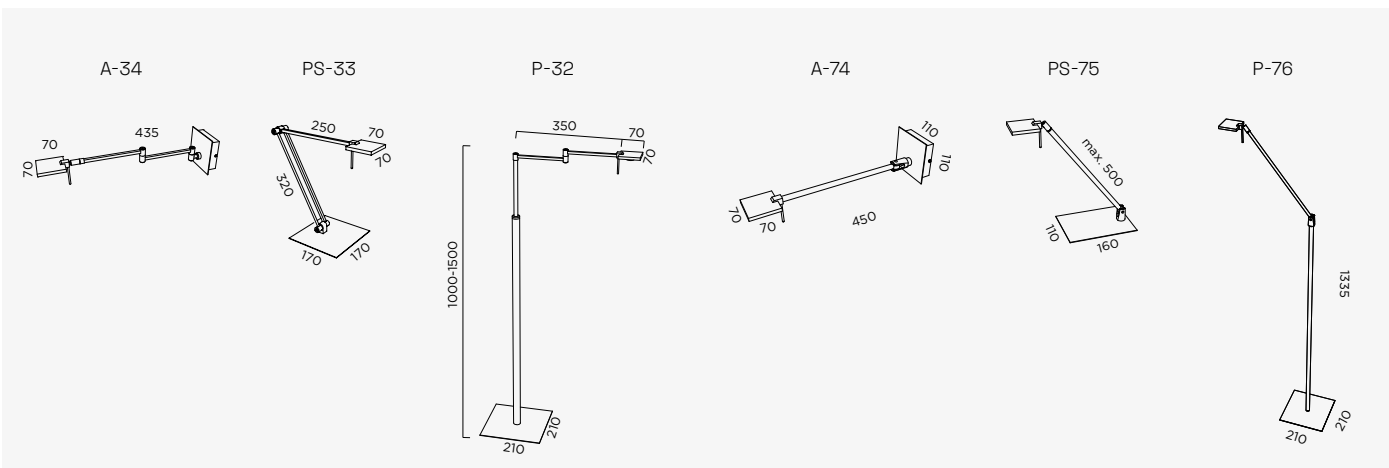
A-74

⊕ ⊖ IP20 RF850°

□ B ■ N ▨ C ■ NM

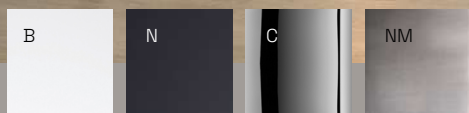
Ref.		W	Lumens	Kelvin	
A-34	LED	6	900	3000	⊕N-⊖FF
PS-33	LED	6	900	3000	⊕N-⊖FF
P-32	LED	6	900	3000	⊕N-⊖FF

Ref.		W	Lumens	Kelvin	
A-74	LED	6	900	3000	⊕N-⊖FF
PS-75	LED	6	900	3000	⊕N-⊖FF
P-76	LED	6	900	3000	⊕N-⊖FF



Tub

Equipo Pujol





P-45

PS-44



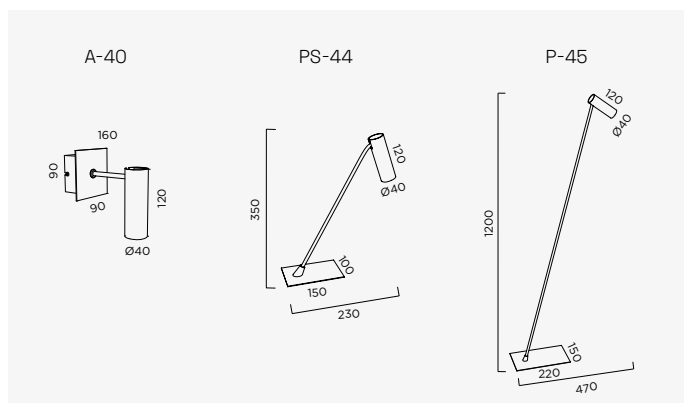
A-40



A-40

⊕ ⊖ IP20 RF850°

□ B ■ N ▨ C ■ NM



Ref.		W	Lumens	Kelvin	
A-40	LED	6	900	3000	
PS-44	LED	6	900	3000	⚡ ⏻
P-45	LED	6	900	3000	⚡ ⏻

Pie

Equipo Pujol



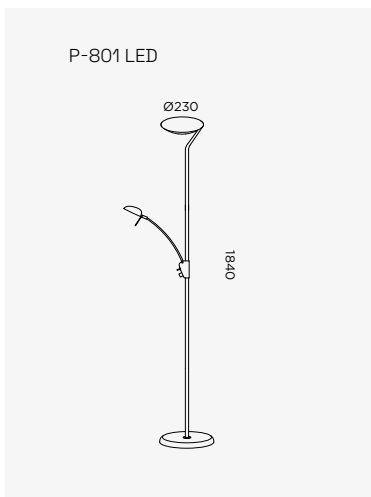


DIMMABLE



⊕ ⊖ IP20 RF850° **DIMMABLE**

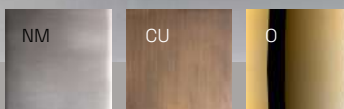
■ C ■ NM ■ CU



Ref.		W	Lumens	Kelvin
P-801 LED	LED	39	4000	3000
		6	900	3000

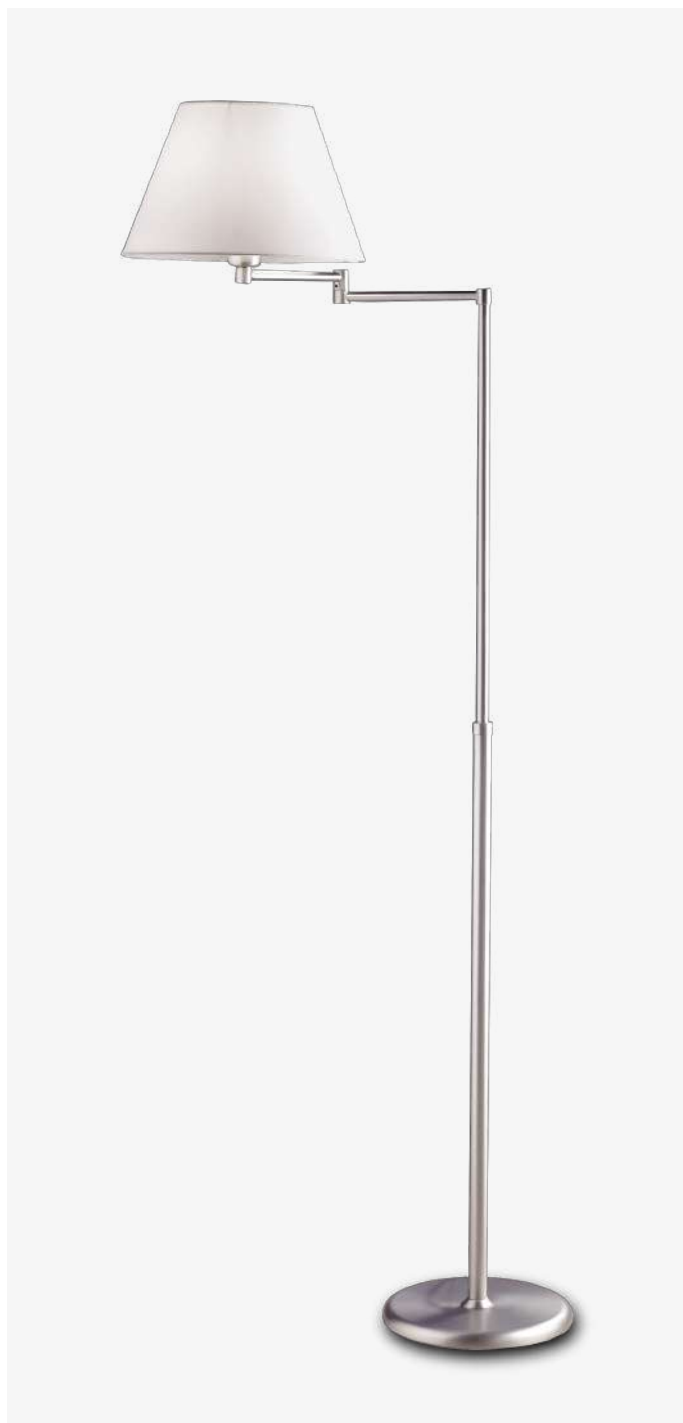
Americana

Equipo Pujol





P-1005



P-1007



A-1023/1 + A-1203/2



A-1203/2

A-1206/1

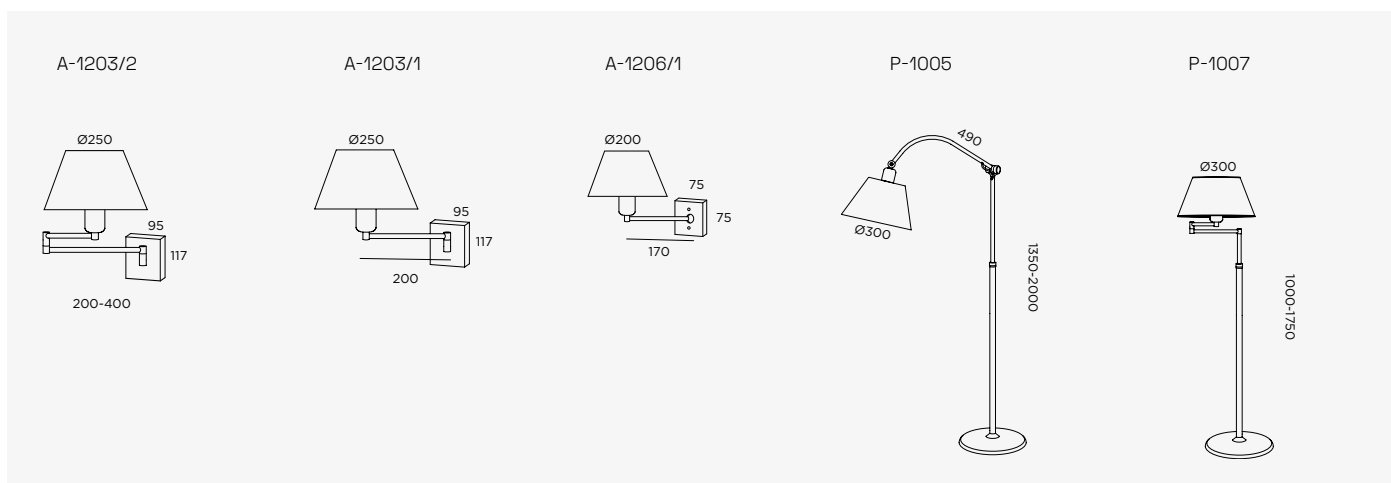
A-1203/1

⊕ ⊖ IP20 RF850°

■ NM ■ CU ■ O

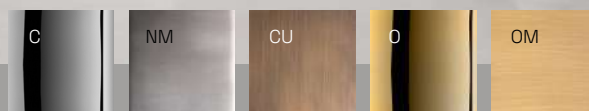
Ref.	
A-1203/2	1xE-27 LED
A-1203/1	1xE-27 LED
A-1206/1	1xE-27 LED

Ref.		
P-1005	1xE-27 LED	⊕ ⊖
P-1007	1xE-27 LED	⊕ ⊖



Apliques de cuadro

Equipo Pujol





A-1004

A-1003 LED

A-1001

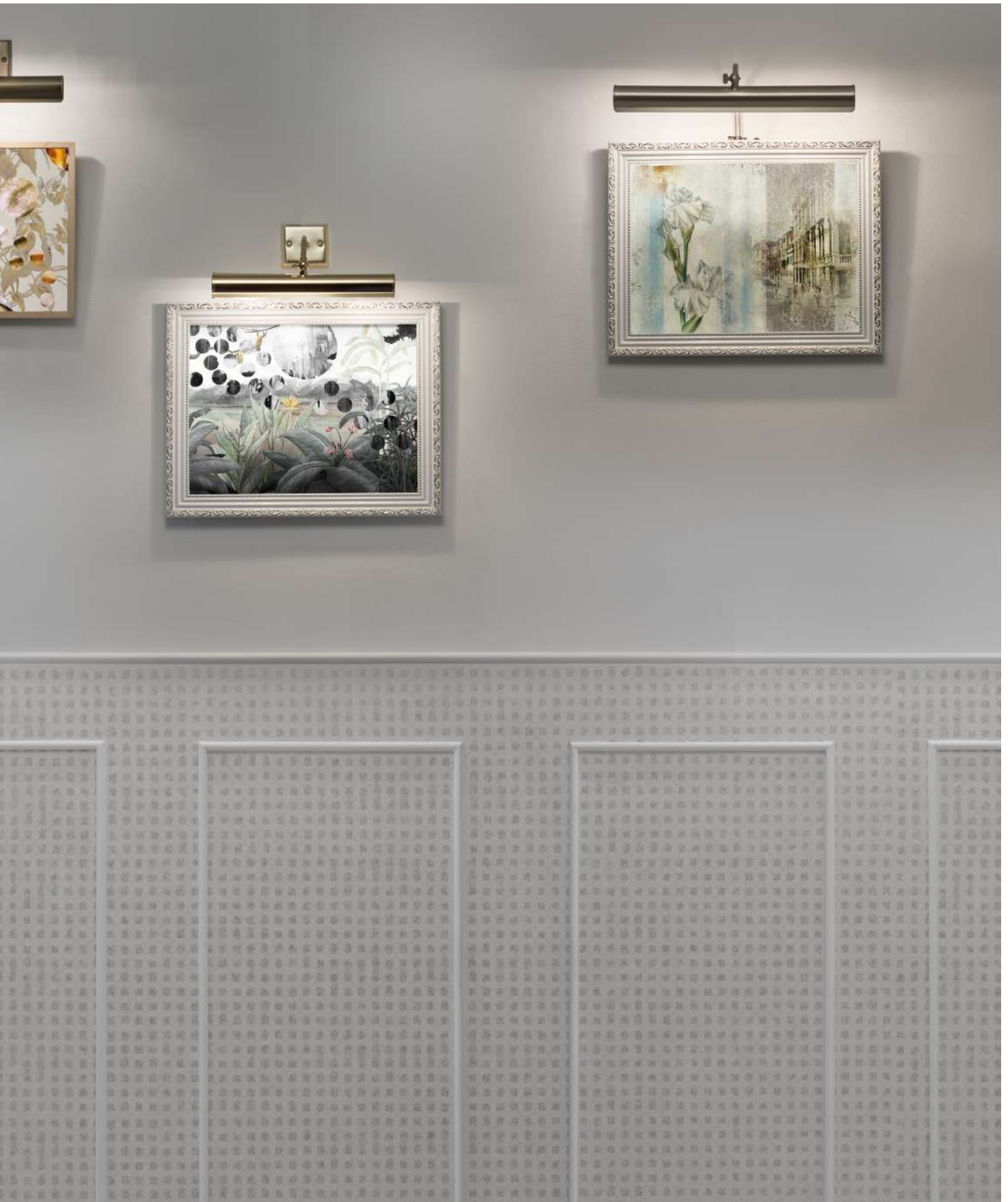
A-1000



A-1000

A-1004

A-1001



A-1003

A-1002 SB



A-1003 SB





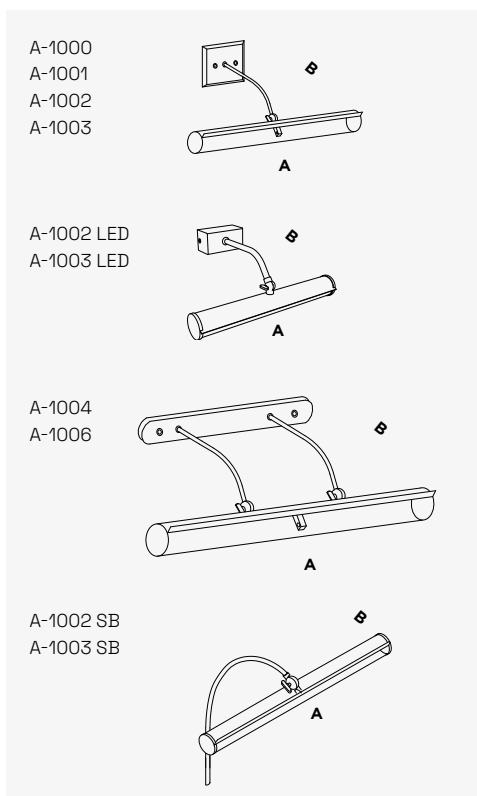
A-1002 SB



A-162

⊕ ⊖ IP20 RF850°

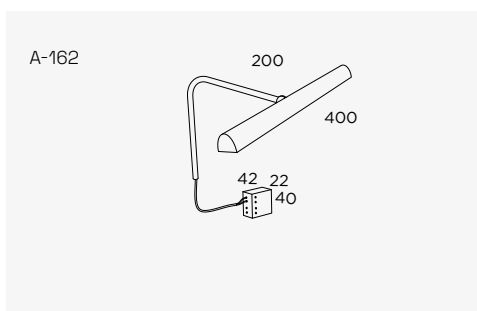
■ NM ■ CU ■ O



Ref.		W	Lumens	Kelvin	A	B
A-1000	1xE-14 LED				200	180
A-1001	1xE-14 LED				250	180
A-1002	2xE-14 LED				300	180
A-1002 LED	LED	4	340	3000	300	200
A-1003	2xE-14 LED				400	180
A-1003 LED	LED	6	450	3000	400	200
A-1004	3xE-14 LED				500	180
A-1006	4xE-14 LED				620	180
A-1002 SB	2xE-14 LED				300	200
A-1003 SB	2xE-14 LED				400	200

⊕ ⊖ IP20 RF850°

■ C ■ NM ■ CU ■ O ■ OM



Ref.		W	Lumens	Kelvin
A-162	LED	7	450	3000

Información técnica

Technical Information

Acabados	227
----------	-----

Finishes

Finitions

Oberflächen

Símbolos	228
----------	-----

Symbols

Symboles

Symbole

Bombillas	228
-----------	-----

Bulbs

Ampoules

Leuchtmittel

Materiales	229
------------	-----

Materials

Matériel

Material

Índice de referencias	230
-----------------------	-----

Reference index

Indice de référence

Referenzindex

Acabados
Finishes
Finitions
Oberflächen



ACU-102



ACU-142



NE
Negro
Black
Noir
Schwarz



ACU-104



ACU-143



NM
Níquel mate
Matt nickel
Nickel mat
Mattvernickelt



ACU-106



AM
Amarillo
Yellow
Jaune
Gelb



O
Baño de oro
Gold coated
Bain or
Goldbad



ACU-107



AZ
Azul
Blue
Bleu
Blau



OM
Oro mate
Matt gold
Or mat
Mattgold



ACU-111



B
Blanco
White
Blanc
Weiß



OX
Marrón óxido
Rust brown
Marrón rouille
Oxydbraun



ACU-116



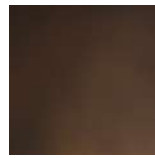
BU



PL
Plata
Silver
Argent
Silber



ACU-117



BO
Bronce oscuro
Dark bronze
Bronze foncé
Dunkel bronze



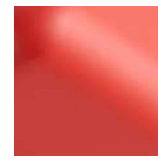
PO
Pintura oro
Gold lacquered
Peinture or
Gold lackiert



ACU-125



C
Cromo
Chrome
Chrome
Chrom



R
Rojo
Red
Rouge
Rot



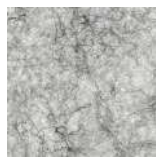
ACU-127



COS
Cobre satinado
Matt copper
Cuivre mat
Matt kupfer



VE
Verde
Green
Vert
Grün



ACU-138



CU
Cuero
Bronze
Cuir
Bronze



ACU-140



NA

Símbolos
Symbols
Symboles
Symbole

Bombillas
Bulbs
Ampoules
Leuchtmittel



Clase I
Class I
Classe I
Klasse I



Clase II
Class II
Classe II
Klasse II



Instalación en superficies inflamables.
Suitable for installation on inflammable surfaces.
Permettre leu le installation sur une surface inflammable.
Einbau auf brennbare Oberflächen.



No instalar en superficies inflamables.
Unsuitable for installation on inflammable surfaces.
Permettre leu le installation sur une surface inflammable.
Einbau auf brennbare Oberflächen.

IPXX

Grado de protección.
Protection level.
Degré de protection.
Schutzklasse.

RF850°

Resistente a hilo incandescente a 850°.
Resistance to incandescent wire at 850°C.
Tenue au feu 850°C.
Glühdrahtbeständig auf 850°C.



DIMMABLE

Regulador de intensidad.
With dimmer.
Régulateur d'intensité.
Mit dimmer.



TOUCH DIMMER

Regulador de intensidad.
With dimmer.
Régulateur d'intensité.
Mit dimmer.

ON-OFF

Interruptor.
Switch.
Interrupteur simple.
Schalter.



ON-OFF

Interruptor en cable.
Cable switch.
Interrupteur sur le câble.
Schalter am Kabel.



Sin interruptor.
Without switch.
Sans interrupteur.
Ohne schalter.



Mando a distancia.
Remote control.
Télécommande.
Fernbedienung.



xxm

Cable extra.
Extra wire.
Câble supplémentaire.
Extra kable.

LED LED



E14 LED



E27 LED



G9 LED



R7s 78mm



R7s 118mm



GU10 LED

Materiales
Materials
Matériel
Material



Armazón
Frame
Structure
Rahmen



Difusor
Diffuser
Diffuseur
Diffusor



Pantallas
Shades
Abat-jour
Shirm



Acero
 Steel
 Acier
 Stahl



Acero
 Steel
 Acier
 Stahl



Acero
 Steel
 Acier
 Stahl



Aluminio
 Aluminium
 Aluminium
 Aluminium



Aluminio
 Aluminium
 Aluminium
 Aluminium



Aluminio
 Aluminium
 Aluminium
 Aluminium



Latón
 Brass
 Laiton
 Messing



Cristal
 Glass
 Verre
 Glas



Cristal
 Glass
 Verre
 Glas



Tela
 Fabric
 Tissu
 Stoff



Cristal-Acero
 Glass-Steel
 Glass-Acier
 Glas-Stahl



Latón
 Brass
 Laiton
 Messing



Latón
 Brass
 Laiton
 Messing



Mimbre
 Natural fibers
 Fibre naturelle
 Naturfasern



Metacrilato
 Methacrylate
 Méthacrylate
 Methacrylat



Metacrilato
 Methacrylate
 Méthacrylate
 Methacrylat



Policarbonato
 Polycarbonate
 Polycarbonate
 Polykarbonat



Pergamino poliéster
 Parchment polyester
 Parchemin polyester
 Pergament polyester



Seda
 Silk
 Soie
 Seide



Policarbonato
 Polycarbonate
 Polycarbonate
 Polykarbonat



Poliéster
 Polyester
 Polyester
 Polyester



Polietileno Reciclado
 Recycled polyethylene
 Polyéthylène recyclé
 Recycelt polyethylene



Tela
 Fabric
 Tissu
 Stoff

Colección Collection	Pág. Page	Referencia Reference	Información Information	Acabados Finishes	Armazón Frame	Difusor Diffuser	Pantalla Shade	Opcional Optional
ACUSTIC	37	C-232/60	⊕ ∇ IP20 RF850°	 ACU-102 ACU-104 ACU-106 ACU-107 ACU-111 ACU-116 ACU-117 ACU-125 ACU-127 ACU-138 ACU-140 ACU-142 ACU-143				
ACUSTIC	37	C-232/90	⊕ ∇ IP20 RF850°	 ACU-102 ACU-104 ACU-106 ACU-107 ACU-111 ACU-116 ACU-117 ACU-125 ACU-127 ACU-138 ACU-140 ACU-142 ACU-143				
ACUSTIC	37	C-233/60	⊕ ∇ IP20 RF850°	 ACU-102 ACU-104 ACU-106 ACU-107 ACU-111 ACU-116 ACU-117 ACU-125 ACU-127 ACU-138 ACU-140 ACU-142 ACU-143				
ACUSTIC	37	C-233/80	⊕ ∇ IP20 RF850°	 ACU-102 ACU-104 ACU-106 ACU-107 ACU-111 ACU-116 ACU-117 ACU-125 ACU-127 ACU-138 ACU-140 ACU-142 ACU-143				
ACUSTIC	37	C-233/120	⊕ ∇ IP20 RF850°	 ACU-102 ACU-104 ACU-106 ACU-107 ACU-111 ACU-116 ACU-117 ACU-125 ACU-127 ACU-138 ACU-140 ACU-142 ACU-143				
ACUSTIC	37	C-234/60	⊕ ∇ IP20 RF850°	 ACU-102 ACU-104 ACU-106 ACU-107 ACU-111 ACU-116 ACU-117 ACU-125 ACU-127 ACU-138 ACU-140 ACU-142 ACU-143				
ACUSTIC	37	C-234/80	⊕ ∇ IP20 RF850°	 ACU-102 ACU-104 ACU-106 ACU-107 ACU-111 ACU-116 ACU-117 ACU-125 ACU-127 ACU-138 ACU-140 ACU-142 ACU-143				
ACUSTIC	37	C-234/120	⊕ ∇ IP20 RF850°	 ACU-102 ACU-104 ACU-106 ACU-107 ACU-111 ACU-116 ACU-117 ACU-125 ACU-127 ACU-138 ACU-140 ACU-142 ACU-143				
ACUSTIC	37	PL-235/60	⊕ ∇ IP20 RF850°	 ACU-102 ACU-104 ACU-106 ACU-107 ACU-111 ACU-116 ACU-117 ACU-125 ACU-127 ACU-138 ACU-140 ACU-142 ACU-143				
ACUSTIC	37	PL-235/80	⊕ ∇ IP20 RF850°	 ACU-102 ACU-104 ACU-106 ACU-107 ACU-111 ACU-116 ACU-117 ACU-125 ACU-127 ACU-138 ACU-140 ACU-142 ACU-143				
ACUSTIC	37	PL-235/120	⊕ ∇ IP20 RF850°	 ACU-102 ACU-104 ACU-106 ACU-107 ACU-111 ACU-116 ACU-117 ACU-125 ACU-127 ACU-138 ACU-140 ACU-142 ACU-143				
ACUSTIC	37	PL-236/60	⊕ ∇ IP20 RF850°	 ACU-102 ACU-104 ACU-106 ACU-107 ACU-111 ACU-116 ACU-117 ACU-125 ACU-127 ACU-138 ACU-140 ACU-142 ACU-143				
ACUSTIC	37	PL-236/80	⊕ ∇ IP20 RF850°	 ACU-102 ACU-104 ACU-106 ACU-107 ACU-111 ACU-116 ACU-117 ACU-125 ACU-127 ACU-138 ACU-140 ACU-142 ACU-143				
ACUSTIC	37	PL-236/120	⊕ ∇ IP20 RF850°	 ACU-102 ACU-104 ACU-106 ACU-107 ACU-111 ACU-116 ACU-117 ACU-125 ACU-127 ACU-138 ACU-140 ACU-142 ACU-143				

Colección Collection	Pág. Page	Referencia Reference	Información Information	Acabados Finishes	Armazón Frame	Difusor Diffuser	Pantalla Shade	Opcional Optional
ADO	163	A-915	⊕ ⊖ IP20 RF850°	C NM	ALU			
ADO	163	A-915 PL	⊕ ⊖ IP20 RF850°	C NM	ALU			
ADO	163	A-916	⊕ ⊖ IP20 RF850°	C NM	ALU			
ADO	163	A-916 PL	⊕ ⊖ IP20 RF850°	C NM	ALU			
AGORA	161	A-146	⊕ ⊖ IP20 RF850°	C NM	ALU			
AMERICANA	219	A-1203/1	⊕ ⊖ IP20 RF850°	O NM CU	ACE RO		TE LA	
AMERICANA	219	A-1203/2	⊕ ⊖ IP20 RF850°	O NM CU	ACE RO		TE LA	
AMERICANA	219	A-1206/1	⊕ ⊖ IP20 RF850°	O NM CU	ACE RO		TE LA	
AMERICANA	219	P-1005	⊕ ⊖ IP20 RF850°	O NM CU	ACE RO		TE LA	
AMERICANA	219	P-1007	⊕ ⊖ IP20 RF850°	O NM CU	ACE RO		TE LA	
APLIQUES CUADRO	225	A-162	⊕ ⊖ IP20 RF850°	C NM O OM CU	ACE RO			
APLIQUES DE CUADRO	225	A-1000	⊕ ⊖ IP20 RF850°	O NM CU	ACE RO	ACE RO		
APLIQUES DE CUADRO	225	A-1001	⊕ ⊖ IP20 RF850°	O NM CU	ACE RO	ACE RO		
APLIQUES DE CUADRO	225	A-1002	⊕ ⊖ IP20 RF850°	O NM CU	ACE RO	ACE RO		
APLIQUES DE CUADRO	225	A-1002 LED	⊕ ⊖ IP20 RF850°	O NM CU	ACE RO	ACE RO		
APLIQUES DE CUADRO	225	A-1002/SB	⊕ ⊖ IP20 RF850°	O NM CU	ACE RO	ACE RO		
APLIQUES DE CUADRO	225	A-1003	⊕ ⊖ IP20 RF850°	O NM CU	ACE RO	ACE RO		
APLIQUES DE CUADRO	225	A-1003 LED	⊕ ⊖ IP20 RF850°	O NM CU	ACE RO	ACE RO		
APLIQUES DE CUADRO	225	A-1003/SB	⊕ ⊖ IP20 RF850°	O NM CU	ACE RO	ACE RO		
APLIQUES DE CUADRO	225	A-1004	⊕ ⊖ IP20 RF850°	O NM CU	ACE RO	ACE RO		
APLIQUES DE CUADRO	225	A-1006	⊕ ⊖ IP20 RF850°	O NM CU	ACE RO	ACE RO		
APOLO	135	A-811	⊕ ⊖ IP44 RF850°	B C NM CU PL	LA TON	CRI		☐ DIMMABLE
APOLO	135	A-811/15	⊕ ⊖ IP44 RF850°	B C NM CU PL	LA TON	CRI		☐ DIMMABLE
APOLO	135	A-811/15 LED	⊕ ⊖ IP44 RF850°	B C NM CU PL	LA TON	CRI		☐ DIMMABLE
APOLO	135	A-811/25	⊕ ⊖ IP44 RF850°	B C NM CU PL	LA TON	CRI		☐ DIMMABLE
APOLO	135	A-811/25 LED	⊕ ⊖ IP20 RF850°	B C NM CU PL	LA TON	CRI		☐ DIMMABLE
APOLO	137	A-811/25 EMERG LED	⊕ ⊖ IP20 RF850°	B C NM PL	LA TON	CRI		EMERGENCY 3H
APOLO	135	A-811/40	⊕ ⊖ IP44 RF850°	B C NM CU PL	LA TON	CRI		☐ DIMMABLE
APOLO	135	A-811/40 LED	⊕ ⊖ IP20 RF850°	B C NM CU PL	LA TON	CRI		☐ DIMMABLE
APOLO	137	A-811/40 EMERG LED	⊕ ⊖ IP20 RF850°	B C NM PL	LA TON	CRI		EMERGENCY 3H

Colección Collection	Pág. Page	Referencia Reference	Información Information	Acabados Finishes	Armazón Frame	Difusor Diffuser	Pantalla Shade	Opcional Optional
APOLO	135	A-811/60	⊕ ⊖ IP44 RF850°	B C NM CU PL	LA TON	CRI	DIMMABLE	
APOLO	135	A-811/60 LED	⊕ ⊖ IP20 RF850°	B C NM CU PL	LA TON	CRI	DIMMABLE	
APOLO	137	A-811/60 EMERG LED	⊕ ⊖ IP20 RF850°	B C NM PL	LA TON	CRI	EMERGENCY 3H	
APOLO	135	A-811/80	⊕ ⊖ IP44 RF850°	B C NM CU PL	LA TON	CRI	IP44 DIMMABLE	
APOLO	135	A-811/80 LED	⊕ ⊖ IP44 RF850°	B C NM CU PL	LA TON	CRI	DIMMABLE	
APOLO	135	A-811/80/HL	⊕ ⊖ IP44 RF850°	B C NM CU PL	LA TON	CRI	DIMMABLE	
APOLO	135	A-811/120	⊕ ⊖ IP20 RF850°	B C NM CU PL	LA TON	CRI	IP44 DIMMABLE	
APOLO	135	A-811/120 LED	⊕ ⊖ IP20 RF850°	B C NM CU PL	LA TON	CRI	DIMMABLE	
APOLO	135	A-811/120/HL	⊕ ⊖ IP44 RF850°	B C NM CU PL	LA TON	CRI	DIMMABLE	
APOLO	135	A-811/150	⊕ ⊖ IP20 RF850°	B C NM CU PL	LA TON	CRI	IP44 DIMMABLE	
APOLO	135	A-811/150 LED	⊕ ⊖ IP20 RF850°	B C NM CU PL	LA TON	CRI	DIMMABLE	
APOLO	135	A-811/150/HL	⊕ ⊖ IP44 RF850°	B C NM CU PL	LA TON	CRI	DIMMABLE	
APOLO	135	A-812	⊕ ⊖ IP20 RF850°	B C COS CU N NM O OM OX PL	LA TON	PM MA	IP44 LED 2700K LED 4000K	
APOLO	135	A-812/15	⊕ ⊖ IP20 RF850°	B C COS CU N NM O OM OX PL	LA TON	PM MA	IP44 LED 2700K LED 4000K	
APOLO	135	A-812/30	⊕ ⊖ IP20 RF850°	B C COS CU N NM O OM OX PL	LA TON	PM MA	IP44 LED 2700K LED 4000K	
APOLO	135	A-812/60	⊕ ⊖ IP20 RF850°	B C COS CU N NM O OM OX PL	LA TON	PM MA	IP44 LED 2700K LED 4000K	
APOLO	135	A-812/90	⊕ ⊖ IP20 RF850°	B C COS CU N NM O OM OX PL	LA TON	PM MA	IP44 LED 2700K LED 4000K	
APOLO	135	A-812/120	⊕ ⊖ IP20 RF850°	B C COS CU N NM O OM OX PL	LA TON	PM MA	IP44 LED 2700K LED 4000K	
APOLO	135	A-812/150	⊕ ⊖ IP20 RF850°	B C COS CU N NM O OM OX PL	LA TON	PM MA	IP44 LED 2700K LED 4000K	
APOLO	139	A-933/25 LED	⊕ ⊖ IP65 RF850°	B N PL	ALU	CRI	LED 4000K	
APOLO	139	A-933/40 LED	⊕ ⊖ IP65 RF850°	B N PL	ALU	CRI	LED 4000K	
APOLO	135	C-824/120 LED	⊕ ⊖ IP20 RF850°	C NM	LA TON	CRI	LED 4000K DIMMABLE	
APOLO	135	PL-881/20	⊕ ⊖ IP44 RF850°	C NM	LA TON	CRI	DIMMABLE	
APOLO	135	PL-881/20 LED	⊕ ⊖ IP20 RF850°	C NM	LA TON	CRI	LED 4000K DIMMABLE	
APOLO	135	PL-881/35	⊕ ⊖ IP44 RF850°	C NM	LA TON	CRI	DIMMABLE	
APOLO	135	PL-881/35 LED	⊕ ⊖ IP20 RF850°	C NM	LA TON	CRI	LED 4000K DIMMABLE	
APOLO	135	PL-881/50	⊕ ⊖ IP44 RF850°	C NM	LA TON	CRI	DIMMABLE	
APOLO	135	PL-881/50 LED	⊕ ⊖ IP20 RF850°	C NM	LA TON	CRI	LED 4000K DIMMABLE	
ARCOS	149	A-911/15	⊕ ⊖ IP20 RF850°	B C NM	ALU	CRI	IP44	

Colección Collection	Pág. Page	Referencia Reference	Información Information	Acabados Finishes	Armazón Frame	Difusor Diffuser	Pantalla Shade	Opcional Optional
ARCOS	149	A-911/15 LED	⊕ ⊖ IP20 RF850°		ALU			
ARCOS	149	A-911/25	⊕ ⊖ IP20 RF850°		ALU			
ARCOS	149	A-911/25 LED	⊕ ⊖ IP20 RF850°		ALU			
ARCOS	149	A-911/40	⊕ ⊖ IP20 RF850°		ALU			
ARCOS	149	A-911/40 LED	⊕ ⊖ IP20 RF850°		ALU			
ARCOS	149	A-911/60	⊕ ⊖ IP20 RF850°		ALU			
ARCOS	149	A-911/60 LED	⊕ ⊖ IP20 RF850°		ALU			
ARCOS	149	A-911/80	⊕ ⊖ IP20 RF850°		ALU			
ARCOS	149	A-911/80 LED	⊕ ⊖ IP20 RF850°		ALU			
ARCOS	149	A-911/120	⊕ ⊖ IP20 RF850°		ALU			
ARCOS	149	A-911/120 LED	⊕ ⊖ IP20 RF850°		ALU			
ARCOS	149	A-911/150	⊕ ⊖ IP20 RF850°		ALU			
ARCOS	149	A-911/150 LED	⊕ ⊖ IP20 RF850°		ALU			
ARCOS	149	PL-912/20 LED	⊕ ⊖ IP20 RF850°		ALU			
ARCOS	149	PL-912/40 LED	⊕ ⊖ IP20 RF850°		ALU			
ARCOS	149	PL-912/60 LED	⊕ ⊖ IP20 RF850°		ALU			
ARCOS	149	A-913/60	⊕ ⊖ IP20 RF850°		ALU			
ARCOS	149	A-913/60 LED	⊕ ⊖ IP20 RF850°		ALU			
ARCOS	149	A-913/90	⊕ ⊖ IP20 RF850°		ALU			
ARCOS	149	A-913/90 LED	⊕ ⊖ IP20 RF850°		ALU			
ARCOS	149	A-913/120	⊕ ⊖ IP20 RF850°		ALU			
ARCOS	149	A-913/120 LED	⊕ ⊖ IP20 RF850°		ALU			
ARCOS	149	A-913/150	⊕ ⊖ IP20 RF850°		ALU			
ARCOS	149	A-913/150 LED	⊕ ⊖ IP20 RF850°		ALU			
ARCOS	149	A-914/15	⊕ ⊖ IP20 RF850°		ALU			
ARCOS	149	A-914/30	⊕ ⊖ IP20 RF850°		ALU			
ARCOS	149	A-914/60	⊕ ⊖ IP20 RF850°		ALU			
ARCOS	149	A-914/90	⊕ ⊖ IP20 RF850°		ALU			
ARCOS	149	A-914/120	⊕ ⊖ IP20 RF850°		ALU			

Colección Collection	Pág. Page	Referencia Reference	Información Information	Acabados Finishes	Armazón Frame	Difusor Diffuser	Pantalla Shade	Opcional Optional
ARCOS	149	A-914/150	⊕ ⊖ IP20 RF850°	B C CU N NM OX PL	ALU	PM MA		
AURA	171	C-52/45	⊕ ⊖ IP20 RF850°	N			ALU	
AURA	171	C-52/65	⊕ ⊖ IP20 RF850°	N			ALU	
AURA	171	C-52/85	⊕ ⊖ IP20 RF850°	N			ALU	
AURA	171	C-52/100	⊕ ⊖ IP20 RF850°	N			ALU	
BALANCE	71	A-228	⊕ ⊖ IP20 RF850°	B N	ACE RO	CRI		USB
BALANCE	71	A-229	⊕ ⊖ IP20 RF850°	B N	ACE RO	CRI		USB
BASIC	197	A-46	⊕ ⊖ IP20 RF850°	C NM	ACE RO		TE LA	⊕N-⊕FF x1 ⊕N-⊕FF x2 USB
BASIC	197	A-47	⊕ ⊖ IP20 RF850°	C NM	ACE RO		TE LA	⊕N-⊕FF x1 ⊕N-⊕FF x2 USB
BASIC	197	A-158	⊕ ⊖ IP20 RF850°	C NM	ACE RO			USB
BASIC	197	A-170	⊕ ⊖ IP20 RF850°	C NM	ACE RO		TE LA	⊕N-⊕FF x1 ⊕N-⊕FF x2 USB
BATERIA	61	PS-200	⊕ ⊖ IP20	B N	ACE RO		ACE RO	
BATERIA	61	PS-200/C	⊕ ⊖ IP20	B N	ACE RO		ACE RO	
BOINA	89	C-196/20	⊕ ⊖ IP20	AM AZ B N R VE	ACE RO	PM MA		
BOINA	89	C-196/45	⊕ ⊖ IP20	AM AZ B N R VE	ACE RO	PM MA		
BOINA	89	P-230	⊕ ⊖ IP20	AM AZ B N R VE	ACE RO	PM MA		
BOINA	89	PS-231	⊕ ⊖ IP20	AM AZ B N R VE	ACE RO	PM MA		
BOLA	169	C-159/A	⊕ ⊖ IP20 RF850°	B C COS NM			ACE RO	
BRIC	189	A-48	⊕ ⊖ IP20 RF850°	B C NM	ALU			
BRIC	189	A-49	⊕ ⊖ IP20 RF850°	B C NM	ALU			
BRINDIS	165	A-128	⊕ ⊖ IP20 RF850°	C NM	ALU			
BRINDIS	165	C-130	⊕ ⊖ IP20 RF850°	C NM	ALU			
CIL	191	C-53	⊕ ⊖ IP20 RF850°	B C COS NM	LA TON			
CIL	191	C-53 LED	⊕ ⊖ IP20 RF850°	B C COS NM	LA TON			
CIRCULAR	63	PS-203	⊕ ⊖ IP20 RF850°	B N	ACE RO		ALU	
COSMOS	201	P-164 REG	⊕ ⊖ IP20 RF850°	B C NM CU	ACE RO			
CUB	69	A-176	⊕ ⊖ IP20	B C COS N NM	ACE RO	PO LIC		
CUB	69	PL-177/100	⊕ ⊖ IP20 RF850°	B C COS N NM	ACE RO	PO LIC		
CUB	69	PL-177/160	⊕ ⊖ IP20 RF850°	B C COS N NM	ACE RO	PO LIC		
CUB	69	PS-175/100	⊕ ⊖ IP20 RF850°	B C COS N NM	ACE RO	PO LIC		

Colección Collection	Pág. Page	Referencia Reference	Información Information	Acabados Finishes	Armazón Frame	Difusor Diffuser	Pantalla Shade	Opcional Optional
CUB	69	PS-175/160	⊕ ⊖ IP20 RF850°	B C COS N NM	ACE RO	PO LIC		
CUINA	187	A-59	⊕ ⊖ IP20 RF850°	AL B C	ALU			
DEL	209	A-34	⊕ ⊖ IP20 RF850°	B C NM N	ACE RO			
DEL	209	A-74	⊕ ⊖ IP20 RF850°	B C NM N	ACE RO			
DEL	209	P-32	⊕ ⊖ IP20 RF850°	B C NM N	ACE RO			
DEL	209	P-76	⊕ ⊖ IP20 RF850°	B C NM N	ACE RO			
DEL	209	PS-33	⊕ ⊖ IP20 RF850°	B C NM N	ACE RO			
DEL	209	PS-75	⊕ ⊖ IP20 RF850°	B C NM N	ACE RO			
DUO	55	A-217/1	⊕ ⊖ IP20 RF850°	B N	ACE RO			
DUO	55	A-217/2	⊕ ⊖ IP20 RF850°	B N	ACE RO			
ESFERIC	185	A-300	⊕ ⊗ IP20 RF850°	B C N NM O OM OX CU PL	ACE RO	CRI		
ESFERIC	185	A-302	⊕ ⊗ IP20 RF850°	B C N NM O OM OX CU PL	ACE RO	CRI		
EVE	179	A-892	⊕ ⊖ IP20 RF850°	C NM	ALU		TE LA	
EVE	179	PS-893	⊕ ⊖ IP20 RF850°	C NM	ALU		TE LA	
GIRAVOLT	177	G-6 T5	⊕ ⊖ IP20	C NM	ACE RO		PER POL	
GREGAL	199	P-865	⊕ ⊖ IP20 RF850°	B C NM	ACE RO	ACE RO		
GREGAL	199	P-865 LED	⊕ ⊖ IP20 RF850°	B C NM	ACE RO	ACE RO		
ICONO	79	A-205/1	⊕ ⊖ IP20 RF850°	B C N NM	ACE RO			
ICONO	79	A-205/2	⊕ ⊖ IP20 RF850°	B C N NM	ACE RO			
ICONO	79	A-205/3	⊕ ⊖ IP20 RF850°	B C N NM	ACE RO			
IRIS	127	A-160/30	⊕ ⊖ IP20 RF850°	B C NM N	LA TON	CRI	<input type="checkbox"/> IP44 LED 4000K	
IRIS	127	A-160/30/NR	⊕ ⊖ IP20 RF850°	B C NM N	LA TON	CRI	<input type="checkbox"/> IP44 LED 4000K	
IRIS	127	A-160/60	⊕ ⊖ IP20 RF850°	B C NM N	LA TON	CRI	<input type="checkbox"/> IP44 LED 4000K	
IRIS	127	A-160/60/NR	⊕ ⊖ IP20 RF850°	B C NM N	LA TON	CRI	<input type="checkbox"/> IP44 LED 4000K	
IRIS	127	A-160/90	⊕ ⊖ IP20 RF850°	B C NM N	LA TON	CRI	<input type="checkbox"/> IP44 LED 4000K	
IRIS	127	A-160/90/NR	⊕ ⊖ IP20 RF850°	B C NM N	LA TON	CRI	<input type="checkbox"/> IP44 LED 4000K	
IRIS	127	A-160/120	⊕ ⊖ IP20 RF850°	B C NM N	LA TON	CRI	<input type="checkbox"/> IP44 LED 4000K	
IRIS	127	A-160/120/NR	⊕ ⊖ IP20 RF850°	B C NM N	LA TON	CRI	<input type="checkbox"/> IP44 LED 4000K	
KEY	91	A-206/1	⊕ ⊖ IP20 RF850°	AM AZ B C COS N OM R VE	ALU			
KEY	91	A-206/2	⊕ ⊖ IP20 RF850°	AM AZ B C COS N OM R VE	ALU			

Colección Collection	Pág. Page	Referencia Reference	Información Information	Acabados Finishes	Armazón Frame	Difusor Diffuser	Pantalla Shade	Opcional Optional
LULA	193	A-022/A	IP20 RF850°					
LULA	193	A-022/BASE	IP20 RF850°					
LUX	157	P-180	IP20					
LUX	157	P-180/SL	IP20					
MASAI	175	KIT/932						
MASAI	175	P-932/ EXT	IP65 RF850°					
MASAI	175	P-932/ EXT/ RGB	IP65 RF850°					
MASAI	175	P-932/ INT/ REG	IP20 RF850°					
MASAI	175	P-932/ INT/ RGB	IP20 RF850°					
MINI	111	C-197	IP20					
MINI	111	C-197/5	IP20					
MINI	111	C-197/7	IP20					
MINI	111	C-197/13	IP20					
MINI	111	C-197/14	IP20					
MINI	111	C-198/7	IP20					
MINI	111	C-198/13	IP20					
MINI MAXI	105	A-208	IP20 RF850°					
MINI MAXI	105	A-209	IP20 RF850°					
MINI MAXI	105	A-210	IP20 RF850°					
MINI MAXI	105	C-211	IP20 RF850°					
MINI MAXI	105	C-212	IP20 RF850°					
MINI MAXI	105	P-215	IP20 RF850°					
MINI MAXI	105	PS-213	IP20 RF850°					
MINI PLAFON	183	PL-150	IP44 RF850°					
MINI PLAFON	183	PL-151	IP20 RF850°					
NATURAL	47	MIA-03-25	IP20					
NATURAL	47	MIA-03-35	IP20					
NATURAL	47	MIA-03-50	IP20					
NATURAL	47	MIC-01-80	IP20					
NATURAL	47	MIC-01-120	IP20					

Colección Collection	Pág. Page	Referencia Reference	Información Information	Acabados Finishes	Armazón Frame	Difusor Diffuser	Pantalla Shade	Opcional Optional
NATURAL	47	MIC-01-160	⊕ ⊖ IP20	BU NA		⊕ CRI	MIM	
NATURAL	47	MIC-02-20	⊕ ⊖ IP20	BU NA		⊕ CRI	MIM	
NATURAL	47	MIC-02-30	⊕ ⊖ IP20	BU NA		⊕ CRI	MIM	
NATURAL	47	MIC-02-50	⊕ ⊖ IP20	BU NA		⊕ CRI	MIM	
NATURAL	47	MIS-02-20	⊕ ⊖ IP20	BU NA		⊕ CRI	MIM	
NATURAL	47	MIS-02-30	⊕ ⊖ IP20	BU NA		⊕ CRI	MIM	
NATURAL	47	MIS-02-50	⊕ ⊖ IP20	BU NA		⊕ CRI	MIM	
NENUFAR	59	A-216	⊕ ⊖ IP20 RF850°	PO	ALU			
NOA	57	PS-207/170	⊕ ⊖ IP20 RF850°	B N NM N/B N/OM N/COS	ACE RO		⊕ CRI	
NOA	57	PS-207/260	⊕ ⊖ IP20 RF850°	B N NM N/B N/OM N/COS	ACE RO		⊕ CRI	
OPAL	151	A-869/15	⊕ ⊖ IP20 RF850°	C NM	ACE RO	⊕ CRI		⊕ IP44 LED 2700K LED 4000K
OPAL	151	A-869/40	⊕ ⊖ IP20 RF850°	C NM	ACE RO	⊕ CRI		⊕ IP44 LED 2700K LED 4000K
OPAL	151	A-869/60	⊕ ⊖ IP20 RF850°	C NM	ACE RO	⊕ CRI		⊕ IP44 LED 2700K LED 4000K
OPAL	151	A-869/90	⊕ ⊖ IP20 RF850°	C NM	ACE RO	⊕ CRI		⊕ IP44 LED 2700K LED 4000K
OPAL	151	A-869/120	⊕ ⊖ IP20 RF850°	C NM	ACE RO	⊕ CRI		⊕ IP44 LED 2700K LED 4000K
PIE	215	P-801 LED	⊕ ⊖ IP20 RF850°	C NM CU	ACE RO	⊕ ACE RO		
PLAFO	181	PL-190/40	⊕ ⊖ IP20	B N	ACE RO	⊕ PM MA		
PLAFO	181	PL-190/60	⊕ ⊖ IP20	B N	ALU	⊕ PM MA		
PLAFO	181	PL-190/80	⊕ ⊖ IP20	B N	ALU	⊕ PM MA		
PLASMA	167	A-66	⊕ ⊖ IP20 RF850°	B C NM	ALU			
PRIM	125	A-155/30	⊕ ⊖ IP20	B C NM N	ALU	⊕ PO LIC		⊕ IP44 LED 4000K
PRIM	125	A-155/60	⊕ ⊖ IP20	B C NM N	ALU	⊕ PO LIC		⊕ IP44 LED 4000K
PRIM	125	A-155/90	⊕ ⊖ IP20	B C NM N	ALU	⊕ PO LIC		⊕ IP44 LED 4000K
PRIM	125	A-155/120	⊕ ⊖ IP20	B C NM N	ALU	⊕ PO LIC		⊕ IP44 LED 4000K
PRIM	125	C-157	⊕ ⊖ IP20	B C NM N	ALU	⊕ PO LIC		LED 4000K DIMMABLE
SIGNE	83	A-920	⊕ ⊖ IP20 RF850°	AL	ALU	⊕ PM MA		
SIGNE	83	A-920/ESP	⊕ ⊖ IP20 RF850°	AL	ALU	⊕ PM MA		
SIGNE	83	A-921	⊕ ⊖ IP20 RF850°	AL	ALU	⊕ PM MA		
SPHERE	53	A-241	⊕ ⊖ IP20 RF850°	N PO	ACE RO	⊕ CRI		

Colección Collection	Pág. Page	Referencia Reference	Información Information	Acabados Finishes	Armazón Frame	Difusor Diffuser	Pantalla Shade	Opcional Optional
SPHERE	53	C-242	⊕ ⊖ IP20 RF850°	● N ● PO	ACE RO	CR		
SPHERE	53	P-243	⊕ ⊖ IP20 RF850°	● N ● PO	ACE RO	CR		
SPHERE	53	PS-244	□ ⊖ IP20 RF850°	● N ● PO	ACE RO	CR		
SUAU	73	A-163	⊕ ⊖ IP20 RF850°	● B ● C ● NM	ACE RO			
SUAU	73	A-163/CL	⊕ ⊖ IP20 RF850°	● B ● C ● NM	ACE RO			
SUNSET	85	PS-195	□ ⊖ IP20 RF850°	● B ● C ● N	ACE RO			
SUTIL	77	A-225/15	⊕ ⊖ IP20 RF850°	● B ● N	ACE RO	PM MA		
SUTIL	77	A-225/30	⊕ ⊖ IP20 RF850°	● B ● N	ACE RO	PM MA		
SUTIL	77	A-225/60	⊕ ⊖ IP20 RF850°	● B ● N	ACE RO	PM MA		
THIN	159	A-167	⊕ ⊖ IP20	● B ● C ● NM	ACE RO	PO LIC		
TOMAS	97	A-181	⊕ ⊖ IP20	● AM ● AZ ● B ● C ● COS ● N ● OM ● R ● VE		PM MA	ALU	
TOMAS	97	C-182	⊕ ⊖ IP20	● AM ● AZ ● B ● C ● COS ● N ● OM ● R ● VE		PM MA	ALU	
TOMAS	97	P-186	□ ⊖ IP20	● AM ● AZ ● B ● C ● COS ● N ● OM ● R ● VE		PM MA	ALU	
TOMAS	97	PS-184	□ ⊖ IP20	● AM ● AZ ● B ● C ● COS ● N ● OM ● R ● VE		PM MA	ALU	
TRIO	155	P-201	⊕ ⊖ IP20	● B ● C ● N	ACE RO			
TRIO	155	P-201/SL	⊕ ⊖ IP20	● B ● C ● N	ACE RO			
TUB	213	A-40	⊕ ⊖ IP20 RF850°	● B ● C ● NM ● N	ALU			
TUB	213	P-45	⊕ ⊖ IP20 RF850°	● B ● C ● NM ● N	ALU			
TUB	213	PS-44	⊕ ⊖ IP20 RF850°	● B ● C ● NM ● N	ALU			
ZEN	121	C-237/5	⊕ ⊖ IP20 RF850°	● N ● PO	ACE RO	CR		
ZEN	121	C-237/7	⊕ ⊖ IP20 RF850°	● N ● PO	ACE RO	CR		
ZEN	121	C-237/9	⊕ ⊖ IP20 RF850°	● N ● PO	ACE RO	CR		
ZEN	121	C-238/8	⊕ ⊖ IP20 RF850°	● N ● PO	ACE RO	CR		
ZEN	121	C-238/12	⊕ ⊖ IP20 RF850°	● N ● PO	ACE RO	CR		
ZEN	121	C-239/10	⊕ ⊖ IP20 RF850°	● N ● PO	ACE RO	CR		
ZEN	121	C-239/24	⊕ ⊖ IP20 RF850°	● N ● PO	ACE RO	CR		
ZEN	121	C-240/6	⊕ ⊖ IP20 RF850°	● N ● PO	ACE RO	CR		
ZEN	121	C-240/8	⊕ ⊖ IP20 RF850°	● N ● PO	ACE RO	CR		
ZEN	121	C-240/10	⊕ ⊖ IP20 RF850°	● N ● PO	ACE RO	CR		
ZIG	27	A-224	⊕ ⊖ IP20	● N	ACE RO		TE LA CR	

Colección Collection	Pág. Page	Referencia Reference	Información Information	Acabados Finishes	Armazón Frame	Difusor Diffuser	Pantalla Shade	Opcional Optional
ZIG	27	P-218	⊕ ⊖ IP20	● N	ACE RO		TE LA CRI	
ZIG	27	P-219	⊕ ⊖ IP20	● N	ACE RO		TE LA CRI	
ZIG	27	P-220	⊕ ⊖ IP20	● N	ACE RO		TE LA CRI	
ZIG	27	PS-221	□ ⊖ IP20	● N	ACE RO		TE LA CRI	
ZIG	27	PS-222	□ ⊖ IP20	● N	ACE RO		TE LA CRI	
ZIG	27	PS-223	⊕ ⊖ IP20	● N	ACE RO		TE LA CRI	



Industria 13
08980 Sant Feliu de Llobregat
Barcelona
SPAIN

Tel +34 936 857 880

comercial@pujoliluminacion.com
export@pujoliluminacion.com

www.pujoliluminacion.com



Pujol iluminación
www.pujoliluminacion.com